



Model created in COMSOL Multiphysics 6.4

Multistudy Optimization of a Bracket

Introduction

In some application fields, there is a strong focus on weight reduction. For example, this is the case in the automotive industry, where every gram has a distinct price tag.

In this model, the weight of a mounting bracket is reduced, given an upper bound on the stresses and a lower bound on the first natural frequency.

The bracket is used for mounting a heavy component on a vibrating foundation. It is thus important to keep the natural frequency well above the excitation frequency in order to avoid resonances. The bracket is also subjected to shock loads, which can be treated as a static acceleration load. This gives an optimization problem, where results from two different study types must be considered simultaneously.

Note: This model requires the Optimization Module and the Design Module.

Model Definition

The original bracket together with a sketched mounted component are shown in [Figure 1](#). The bracket is made of steel.

The component, which can be considered as rigid when compared with the bracket, has its center of gravity at the center of the circular cutout in the bracket. The mass is 4.4 kg, the moment of inertia around its longitudinal axis is $7.1 \cdot 10^{-4} \text{ kg} \cdot \text{m}^2$, and the moment of inertia around the two transverse axes is $9.3 \cdot 10^{-4} \text{ kg} \cdot \text{m}^2$.

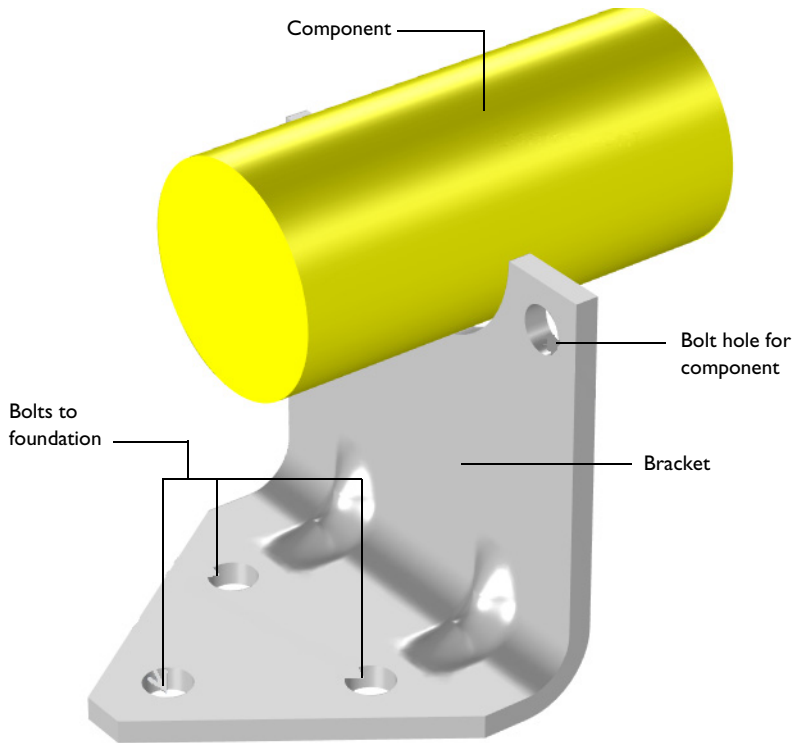


Figure 1: Bracket supporting a heavy component.

The idea is to reduce the weight by drilling holes in the vertical surface of the bracket, and at the same time change the dimensions of the indentations, in order to offset the loss in stiffness.

OPTIMIZATION PARAMETERS

Six geometrical parameters are used in the optimization. They are summarized in [Table 1](#) and shown in [Figure 2](#).

TABLE 1: GEOMETRICAL PARAMETERS.

| Parameter | Description | Lower limit (mm) | Upper limit (mm) |
|------------------|---|-------------------------|-------------------------|
| rC | Radius of the central hole | 3 | 15 |
| zCo | Vertical distance from the bend to the edge of the central hole | 1 | 23 |

TABLE 1: GEOMETRICAL PARAMETERS.

| Parameter | Description | Lower limit (mm) | Upper limit (mm) |
|-----------|--|------------------|------------------|
| r_0 | Radius of the outer hole | 3 | 15 |
| z_{0o} | Vertical distance from the bend to the edge of the outer hole | 8 | 30 |
| y_{0o} | Horizontal distance from the edge of the bracket to outer hole | 3 | 29 |
| w_{Ind} | Width of the indentation | 8 | 20 |

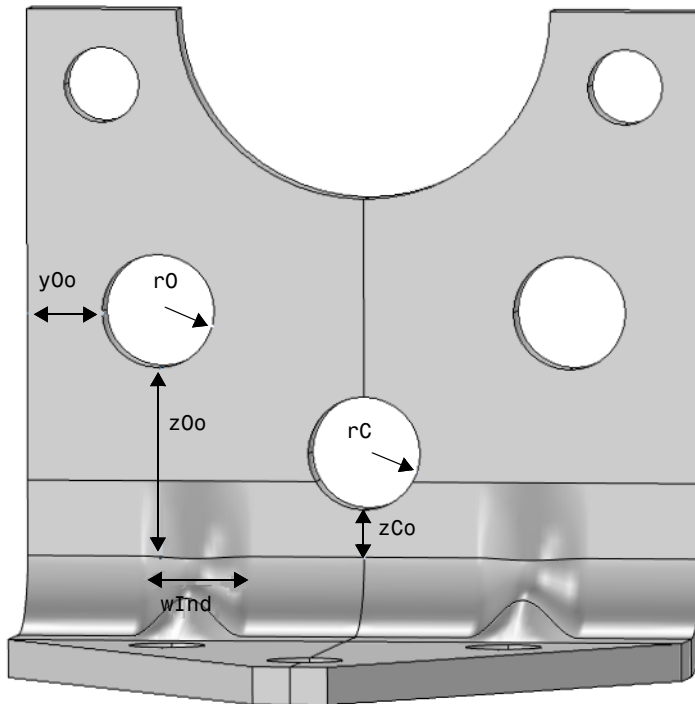


Figure 2: Optimization parameters.

CONSTRAINTS

- The lowest natural frequency must be at least 60 Hz.
- When exposed to a peak acceleration of $4g$ in all three global directions simultaneously, the equivalent stress is not allowed to exceed 80 MPa anywhere. This criterion is

- nondifferentiable, because the location of the peak stress can jump from one place to another. A gradient-free optimization algorithm must thus be used.
- There must be at least 3 mm of material between two holes, or between a hole and an edge. This criterion is enforced both through the limits on the control parameters and as constraints. The geometrical constraints are shown in [Figure 3](#).

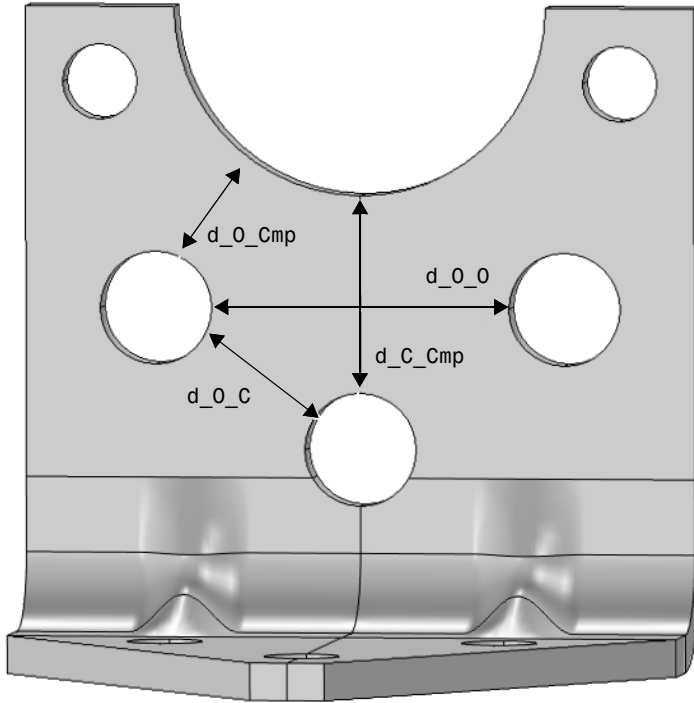


Figure 3: Geometrical constraints.

The COBYLA solver uses sampling in the control variable space to approximate both the objective function, the constraints, and the control variable bounds. Individual samples may be computed outside the bounds and in violation of the constraints. Therefore, it is important to parameterize the geometry in such a way that it is robust with respect to (small) constraint and bound violations.

Bounds and linear constraints are generally satisfied to high precision at the optimum point returned by the solver, but nonlinear constraints are often slightly violated. The reason is that the solver tends to converge from the outside of the feasible domain and terminates before the constraints are completely satisfied. Tightening the solver tolerances

will decrease the constraint violation but is often not worth the computational effort; it is better to specify constraints with a safety margin.

Results and Discussion

The initial geometry used in the optimization is shown in [Figure 4](#). Three rather small holes have been introduced.

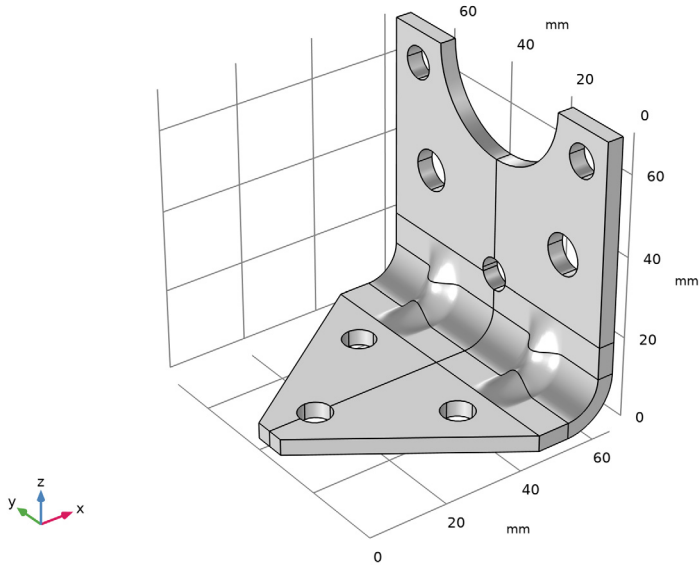


Figure 4: Initial geometry.

The optimal values of the geometrical parameters are shown in [Table 2](#).

TABLE 2: OPTIMAL VALUES.

| Parameter | Optimal value (mm) | Lower limit (mm) | Upper limit (mm) |
|-----------|--------------------|------------------|------------------|
| rC | 11.8 | 3 | 15 |
| zCo | 2.7 | 1 | 23 |
| r0 | 9.0 | 3 | 15 |
| z0o | 9.5 | 8 | 30 |
| y0o | 22.3 | 3 | 29 |
| wInd | 20 | 8 | 20 |

The weight of the optimized bracket is about 188 g, a reduction of 17 g from the original 205 g. The stresses from the shock load on the optimized geometry are shown in [Figure 5](#)

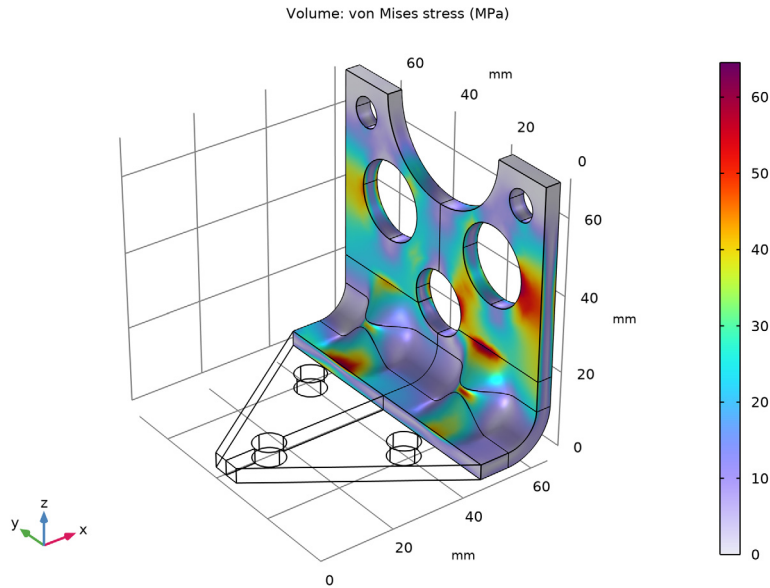


Figure 5: Stresses at peak load in the optimized design.

The optimal solution gives three fairly large holes, and the widest possible indentation.

There are several possible arrangements of the holes that give the same weight reduction within a small tolerance. It is therefore possible that the design variables are not always the same at convergence.

Notes About the COMSOL Implementation


The component mounted on the bracket is not modeled in detail. It is replaced by a Rigid Connector having the equivalent inertial properties.

Application Library path: Structural_Mechanics_Module/
Sensitivity_and_Optimization/multistudy_bracket_optimization




Modeling Instructions

From the **File** menu, choose **New**.

NEW


In the **New** window, click  **Model Wizard**.

MODEL WIZARD

- 1 In the **Model Wizard** window, click  **3D**.
- 2 In the **Select Physics** tree, select **Structural Mechanics > Solid Mechanics (solid)**.
- 3 Click **Add**.
- 4 Click  **Study**.
- 5 In the **Select Study** tree, select **General Studies > Eigenfrequency**.
- 6 Click  **Done**.

GLOBAL DEFINITIONS

Parameters I


- 1 In the **Model Builder** window, under **Global Definitions** click **Parameters I**.
- 2 In the **Settings** window for **Parameters**, locate the **Parameters** section.
- 3 Click  **Load from File**.
- 4 Browse to the model's Application Libraries folder and double-click the file `multistudy_bracket_optimization_parameters.txt`.

GEOMETRY I



- 1 In the **Model Builder** window, under **Component I (comp1)** click **Geometry I**.
- 2 In the **Settings** window for **Geometry**, locate the **Units** section.
- 3 From the **Length unit** list, choose **mm**.
- 4 Locate the **Advanced** section. From the **Geometry representation** list, choose **CAD kernel**.
- 5 Select the **Design Module Boolean operations** checkbox.

The geometry sequence for the model (see [Figure 1](#)) is available in a file. If you want to create it from scratch yourself, you can follow the instructions in the [Geometry Modeling Instructions](#) section. Otherwise, insert the geometry sequence as follows:

- 6 In the **Geometry** toolbar, click **Insert Sequence** and choose **Insert Sequence**.
- 7 Browse to the model's Application Libraries folder and double-click the file `multistudy_bracket_optimization_geom_sequence.mph`.

8 In the **Geometry** toolbar, click  **Build All**.

ADD MATERIAL

- 1 In the **Materials** toolbar, click  **Add Material** to open the **Add Material** window.
- 2 Go to the **Add Material** window.
- 3 In the tree, select **Built-in > Structural steel**.
- 4 Click the **Add to Component** button in the window toolbar.
- 5 In the **Materials** toolbar, click  **Add Material** to close the **Add Material** window.

SOLID MECHANICS (SOLID)

Fixed (Bolts)

- 1 In the **Physics** toolbar, click  **Boundaries** and choose **Fixed Constraint**.

The exact way the bolts clamp the bracket to the foundation is not important for the results in the part being optimized.

- 2 In the **Settings** window for **Fixed Constraint**, type **Fixed (Bolts)** in the **Label** text field.
- 3 Select Boundaries 10–13 and 15–22 only.

Rigid Connector (Mounted Component)


- 1 In the **Physics** toolbar, click  **Boundaries** and choose **Rigid Connector**.

The attached component has a high stiffness, and is bolted to the two upper bolt holes. It is modeled as being rigid, with only mass properties.

- 2 In the **Settings** window for **Rigid Connector**, type **Rigid Connector (Mounted Component)** in the **Label** text field.
- 3 Select Boundaries 48, 49, 52, 53, and 75–78 only.
- 4 Locate the **Center of Rotation** section. From the list, choose **User defined**.
- 5 Specify the \mathbf{X}_c vector as

| | |
|--------------|---|
| $1X - thk/2$ | x |
| $1Y/2$ | y |
| $1Z$ | z |

Mass and Moment of Inertia I


- 1 In the **Physics** toolbar, click  **Attributes** and choose **Mass and Moment of Inertia**.
- 2 In the **Settings** window for **Mass and Moment of Inertia**, locate the **Mass and Moment of Inertia** section.

- 3 In the m text field, type mCmp.
- 4 From the list, choose **Diagonal**.
- 5 Specify the **I** matrix as

| | | |
|-------|--------|--------|
| IXCmp | 0 | 0 |
| 0 | IYZCmp | 0 |
| 0 | 0 | IYZCmp |

MESH 1



Free Triangular 1

- 1 In the **Mesh** toolbar, click  **More Generators** and choose **Free Triangular**.
- 2 Select Boundaries 4, 8, 26, 30, 35, 39, 41, 44, 60, and 64 only.


Size 1

- 1 Right-click **Free Triangular 1** and choose **Size**.
- 2 In the **Settings** window for **Size**, locate the **Element Size** section.
- 3 From the **Predefined** list, choose **Finer**.
- 4 Select Boundaries 4, 8, 26, 30, 44, and 64 only.


Size 2

- 1 Right-click **Size 1** and choose **Duplicate**.
- 2 In the **Settings** window for **Size**, locate the **Element Size** section.
- 3 From the **Predefined** list, choose **Extra fine**.
- 4 Locate the **Geometric Entity Selection** section. Click  **Clear Selection**.
- 5 Select Boundaries 35, 39, 41, and 60 only.
- 6 Click  **Build Selected**.

Swept 1

In the **Mesh** toolbar, click  **Swept**.

Distribution 1


- 1 Right-click **Swept 1** and choose **Distribution**.
- 2 In the **Settings** window for **Distribution**, locate the **Distribution** section.
- 3 In the **Number of elements** text field, type 3.
- 4 Click  **Build All**.

STUDY 1: EIGENFREQUENCY

Run an eigenfrequency study on the initial geometry.

- 1 In the **Model Builder** window, click **Study 1**.
- 2 In the **Settings** window for **Study**, type Study 1: Eigenfrequency in the **Label** text field.


Step 1: Eigenfrequency

- 1 In the **Model Builder** window, under **Study 1: Eigenfrequency** click **Step 1: Eigenfrequency**.
- 2 In the **Settings** window for **Eigenfrequency**, click to expand the **Results While Solving** section.
- 3 From the **Probes** list, choose **None**.
- 4 In the **Study** toolbar, click  **Compute**.

SOLID MECHANICS (SOLID)

Add the peak loads, and perform a stationary study.

Body Load 4g on Bracket


- 1 In the **Physics** toolbar, click  **Domains** and choose **Body Load**.
- 2 In the **Settings** window for **Body Load**, type Body Load 4g on Bracket in the **Label** text field.
- 3 Locate the **Domain Selection** section. From the **Selection** list, choose **All domains**.
- 4 Locate the **Force** section. Specify the \mathbf{f}_V vector as

| | |
|----------------------------|---|
| $4 * g_const * solid.rho$ | x |
| $4 * g_const * solid.rho$ | y |
| $4 * g_const * solid.rho$ | z |

Rigid Connector (Mounted Component)

In the **Model Builder** window, click **Rigid Connector (Mounted Component)**.



Force 4g on Mounted Component

- 1 In the **Physics** toolbar, click  **Attributes** and choose **Applied Force**.
- 2 In the **Settings** window for **Applied Force**, type Force 4g on Mounted Component in the **Label** text field.

3 Locate the **Applied Force** section. Specify the \mathbf{F} vector as

| | |
|-------------------|---|
| $4*g_const*mCmp$ | x |
| $4*g_const*mCmp$ | y |
| $4*g_const*mCmp$ | z |


ADD STUDY

- 1 In the **Home** toolbar, click  **Add Study** to open the **Add Study** window.
- 2 Go to the **Add Study** window.
- 3 Find the **Studies** subsection. In the **Select Study** tree, select **General Studies > Stationary**.
- 4 Click the **Add Study** button in the window toolbar.
- 5 In the **Home** toolbar, click  **Add Study** to close the **Add Study** window.

STUDY 2: STATIONARY

In the **Settings** window for **Study**, type Study 2: Stationary in the **Label** text field.


Step 1: Stationary

- 1 In the **Model Builder** window, under **Study 2: Stationary** click **Step 1: Stationary**.
- 2 In the **Settings** window for **Stationary**, click to expand the **Results While Solving** section.
- 3 From the **Probes** list, choose **None**.
- 4 In the **Study** toolbar, click  **Compute**.


DEFINITIONS

Prepare for the optimization by adding variables for the bracket mass and the maximum stress.

Stress Optimization Domain


- 1 In the **Definitions** toolbar, click  **Explicit**.
- 2 In the **Settings** window for **Explicit**, type Stress Optimization Domain in the **Label** text field.
- 3 Select Domains 3–10 only.

Domain Probe 1 (dom1)

- 1 In the **Definitions** toolbar, click  **Probes** and choose **Domain Probe**.
- 2 In the **Settings** window for **Domain Probe**, type mass in the **Variable name** text field.
- 3 Locate the **Probe Type** section. From the **Type** list, choose **Integral**.

- 4 Click **Replace Expression** in the upper-right corner of the **Expression** section. From the menu, choose **Component 1 (comp1) > Solid Mechanics > Material properties > solid.rho - Density - kg/m³**.

Domain Probe 2 (dom2)

- 1 In the **Definitions** toolbar, click  **Probes** and choose **Domain Probe**.
- 2 In the **Settings** window for **Domain Probe**, type `maxStress` in the **Variable name** text field.
- 3 Locate the **Probe Type** section. From the **Type** list, choose **Maximum**.
- 4 Locate the **Source Selection** section. From the **Selection** list, choose **Stress Optimization Domain**.
- 5 Click **Replace Expression** in the upper-right corner of the **Expression** section. From the menu, choose **Component 1 (comp1) > Solid Mechanics > Stress > solid.mises - von Mises stress - N/m²**.

RESULTS

Modify the default stress plot to monitor the geometry and stresses in the optimized region.

Stress in Optimized Region

- 1 In the **Model Builder** window, under **Results** click **Stress (solid)**.
- 2 In the **Settings** window for **3D Plot Group**, type `Stress in Optimized Region` in the **Label** text field.

Volume 1


- 1 In the **Model Builder** window, expand the **Stress in Optimized Region** node, then click **Volume 1**.
- 2 In the **Settings** window for **Volume**, locate the **Expression** section.
- 3 From the **Unit** list, choose **MPa**.

Deformation

- 1 In the **Model Builder** window, expand the **Volume 1** node.
- 2 Right-click **Deformation** and choose **Delete**.

Selection 1



- 1 Right-click **Volume 1** and choose **Selection**.
- 2 In the **Settings** window for **Selection**, locate the **Selection** section.
- 3 From the **Selection** list, choose **Stress Optimization Domain**.

4 Click the  **Zoom Extents** button in the **Graphics** toolbar.

ROOT

Set up the optimization study.

ADD STUDY

- 1 In the **Home** toolbar, click  **Add Study** to open the **Add Study** window.
- 2 Go to the **Add Study** window.
- 3 Find the **Studies** subsection. In the **Select Study** tree, select **Empty Study**.
- 4 Click the **Add Study** button in the window toolbar.
- 5 In the **Home** toolbar, click  **Add Study** to close the **Add Study** window.


STUDY 3: OPTIMIZATION

In the **Settings** window for **Study**, type Study 3: Optimization in the **Label** text field.


Parameter Optimization

In the **Study** toolbar, click  **Optimization** and choose **Parameter Optimization**.

Eigenfrequency

- 1 In the **Study** toolbar, click  **More Study Extensions** and choose **Study Reference**.
- 2 In the **Settings** window for **Study Reference**, type Eigenfrequency in the **Label** text field.
- 3 Locate the **Study Reference** section. From the **Study reference** list, choose **Study 1: Eigenfrequency**.

Stationary

- 1 In the **Study** toolbar, click  **More Study Extensions** and choose **Study Reference**.
- 2 In the **Settings** window for **Study Reference**, type Stationary in the **Label** text field.
- 3 Locate the **Study Reference** section. From the **Study reference** list, choose **Study 2: Stationary**.


Parameter Optimization

- 1 In the **Model Builder** window, click **Parameter Optimization**.
- 2 In the **Settings** window for **Parameter Optimization**, locate the **Optimization Solver** section.
- 3 From the **Method** list, choose **COBYLA**.
- 4 Click to expand the **Solver Settings** section. Clear the **Stop if error** checkbox.

- 5 Click **Replace Expression** in the upper-right corner of the **Objective Function** section. From the menu, choose **Component 1 (comp1) > Definitions > comp1.mass - Domain Probe 1 - kg**.
- 6 Locate the **Objective Function** section. In the table, enter the following settings:

| Expression | Description | Evaluate for |
|------------|--------------|--------------|
| comp1.mass | Bracket mass | Stationary |

The first eigenfrequency is to be used in the optimization.



- 7 From the **Solution** list, choose **Use first**.
- 8 Locate the **Control Parameters** section. Click  **Load from File**.
- 9 Browse to the model's Application Libraries folder and double-click the file `multistudy_bracket_optimization_ctrlvars.txt`.
- 10 Locate the **Constraints** section. In the table, enter the following settings:

| Expression | Lower bound | Upper bound | Evaluate for |
|------------------------------------|-------------|-------------|----------------|
| freq/minFreq | 1 | | Eigenfrequency |
| comp1.maxStress/ maxStressLimit | | 1 | Stationary |
| d_O_Cmp | 3 [mm] | | Eigenfrequency |
| d_C_Cmp | 3 [mm] | | Eigenfrequency |
| d_O_C | 3 [mm] | | Eigenfrequency |
| d_O_0 | 3 [mm] | | Eigenfrequency |

- 11 Click to expand the **Output** section. Select the **Plot** checkbox.
- 12 From the **Plot group** list, choose **Stress in Optimized Region**.
- 13 From the **Probes** list, choose **None**.

If some configurations are not valid, the optimization procedure should still continue. The default is to stop if an error occurs.

Solution 3 (sol3)

- 1 In the **Study** toolbar, click  **Show Default Solver**.
Run the optimization.
- 2 Click  **Compute**.

RESULTS

On the last line of **Objective Table 3** you will find the optimal set of parameters, and the minimum weight. Note that the value in the **Objective** column can be colored orange if the solution violates a constraint slightly, but is still accepted within the tolerances.

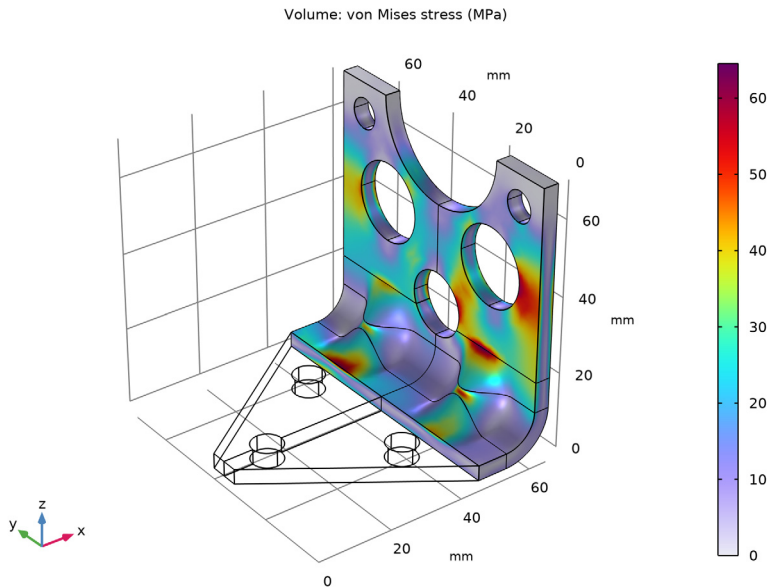
On the last line of **Global Constraints Table 7** you will find the values of the natural frequency and maximum stress in the optimized configuration, as well as the values of the other constraints.

Examine the stress distribution in the optimized configuration.

Stress in Optimized Region

1 In the **Model Builder** window, expand the **Results > Tables** node, then click **Results > Stress in Optimized Region**.

2 In the **Stress in Optimized Region** toolbar, click  **Plot**.




Geometry Modeling Instructions

If you want to create the geometry yourself, follow these steps.

GLOBAL DEFINITIONS



Parameters 1

- 1 In the **Model Builder** window, under **Global Definitions** click **Parameters 1**.
- 2 In the **Settings** window for **Parameters**, locate the **Parameters** section.
- 3 Click  **Load from File**.
- 4 Browse to the model's Application Libraries folder and double-click the file `multistudy_bracket_optimization_geom_sequence_parameters.txt`.



GEOMETRY 1

- 1 In the **Model Builder** window, under **Component 1 (comp1)** click **Geometry 1**.
- 2 In the **Settings** window for **Geometry**, locate the **Units** section.
- 3 From the **Length unit** list, choose **mm**.
- 4 Locate the **Advanced** section. From the **Geometry representation** list, choose **CAD kernel**.
- 5 From the **Geometry representation** list, choose **CAD kernel**.
- 6 Select the **Design Module Boolean operations** checkbox.


Work Plane 1 (wp1)

- 1 In the **Geometry** toolbar, click  **Work Plane**.
- 2 In the **Settings** window for **Work Plane**, locate the **Plane Definition** section.
- 3 From the **Plane** list, choose **zy-plane**.
- 4 In the **x-coordinate** text field, type `1X-rOut`.
- 5 Click  **Go to Plane Geometry**.

Work Plane 1 (wp1) > Parametric Curve 1 (pcl)

- 1 In the **Work Plane** toolbar, click  **More Primitives** and choose **Parametric Curve**.
- 2 In the **Settings** window for **Parametric Curve**, locate the **Expressions** section.
- 3 In the **xw** text field, type `if((abs(s-0.5)<wInd/1Y),dInd/2*(1+cos(pi*1Y/4*(wInd>4[mm],wInd,4[mm])*(s-0.5))),0)`.
- 4 In the **yw** text field, type `s*1Y/2`.
- 5 Click  **Build Selected**.

Work Plane 1 (wp1) > Copy 1 (copy1)

- 1 In the **Work Plane** toolbar, click  **Transforms** and choose **Copy**.
- 2 Select the object **pcl** only.
- 3 In the **Settings** window for **Copy**, locate the **Displacement** section.

4 In the **xw** text field, type thk.

Work Plane 1 (wp1) > Line Segment 1 (ls1)

1 In the **Work Plane** toolbar, click  **More Primitives** and choose **Line Segment**.

2 In the **Settings** window for **Line Segment**, locate the **Starting Point** section.

3 From the **Specify** list, choose **Coordinates**.

4 Locate the **Endpoint** section. From the **Specify** list, choose **Coordinates**.

5 In the **xw** text field, type thk.

Work Plane 1 (wp1) > Copy 2 (copy2)

1 In the **Work Plane** toolbar, click  **Transforms** and choose **Copy**.

2 Select the object **ls1** only.

3 In the **Settings** window for **Copy**, locate the **Displacement** section.

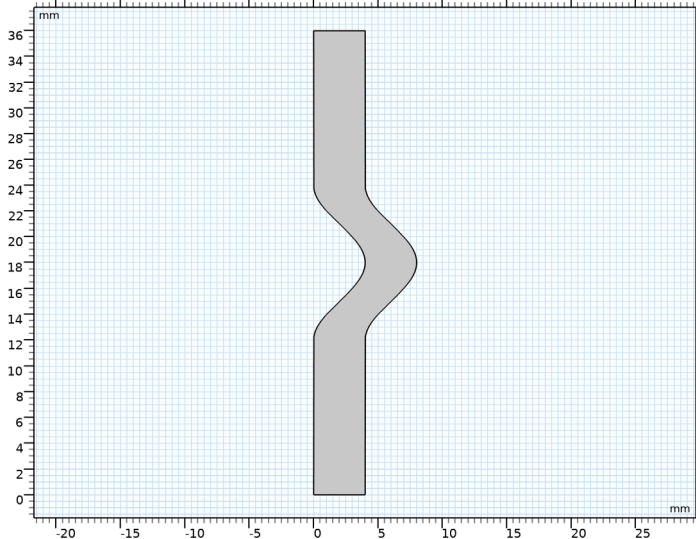
4 In the **yw** text field, type 1Y/2.

Work Plane 1 (wp1) > Convert to Solid 1 (csol1)

1 In the **Work Plane** toolbar, click  **Conversions** and choose **Convert to Solid**.


2 Click in the **Graphics** window and then press Ctrl+A to select all objects.

3 In the **Settings** window for **Convert to Solid**, click  **Build Selected**.





Revolve 1 (rev1)




1 In the **Model Builder** window, right-click **Geometry 1** and choose **Revolve**.

- 2 In the **Settings** window for **Revolve**, locate the **Revolution Angles** section.
- 3 Click the **Angles** button.
- 4 In the **End angle** text field, type 90.
- 5 Locate the **Revolution Axis** section. From the **Axis type** list, choose **3D**.
- 6 Find the **Point on the revolution axis** subsection. In the **x** text field, type $1X-r0ut$.
- 7 In the **z** text field, type $r0ut$.
- 8 Find the **Direction of revolution axis** subsection. In the **y** text field, type -1 .
- 9 Click  **Build All Objects**.

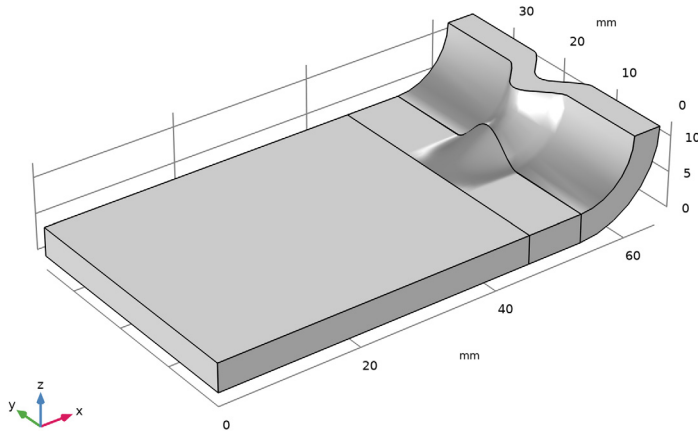
Block 1 (blk1)

- 1 In the **Geometry** toolbar, click  **Block**.
- 2 In the **Settings** window for **Block**, locate the **Size and Shape** section.
- 3 In the **Width** text field, type $1X-r0ut-2*thk$.
- 4 In the **Depth** text field, type $1Y/2$.
- 5 In the **Height** text field, type thk .
- 6 Click  **Build All Objects**.



Loft 1 (loft1)

- 1 In the **Geometry** toolbar, click  **Loft**.
- 2 In the **Settings** window for **Loft**, locate the **General** section.
- 3 Clear the **Unite with input objects** checkbox.
- 4 Click to expand the **Start Profile** section. Click to select the  **Activate Selection** toggle button for **Start profile**.
- 5 On the object **rev1**, select Boundary 1 only.
- 6 Click to expand the **End Profile** section. Click to select the  **Activate Selection** toggle button for **End profile**.
- 7 On the object **blk1**, select Boundary 5 only.


8 Click  **Build All Objects**.



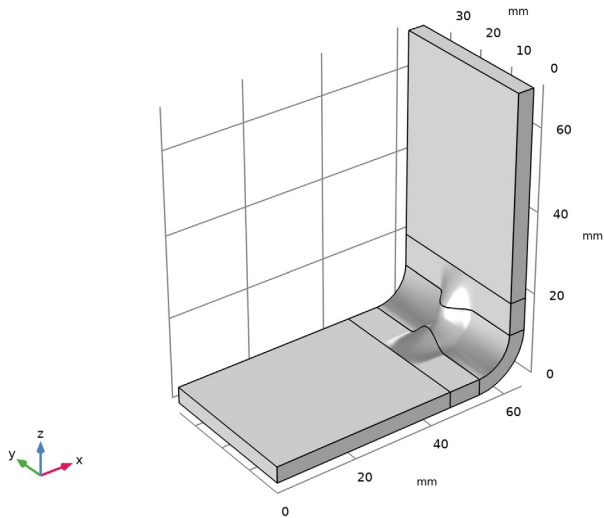
Mirror 1 (mir1)

- 1 In the **Geometry** toolbar, click  **Transforms** and choose **Mirror**.
- 2 Select the object **loft1** only.
- 3 In the **Settings** window for **Mirror**, locate the **Input** section.
- 4 Select the **Keep input objects** checkbox.
- 5 Locate the **Point on Plane of Reflection** section. In the **x** text field, type $1X - rOut$.
- 6 In the **z** text field, type $rOut$.
- 7 Locate the **Normal Vector to Plane of Reflection** section. In the **x** text field, type 1 .
- 8 Click  **Build All Objects**.


Block 2 (blk2)

- 1 In the **Geometry** toolbar, click  **Block**.
- 2 In the **Settings** window for **Block**, locate the **Size and Shape** section.
- 3 In the **Width** text field, type thk .
- 4 In the **Depth** text field, type $1Y/2$.
- 5 In the **Height** text field, type $1Z - rOut - 2*thk$.
- 6 Locate the **Position** section. In the **x** text field, type $1X - thk$.
- 7 In the **z** text field, type $rOut + 2*thk$.

8 Click  **Build All Objects**.



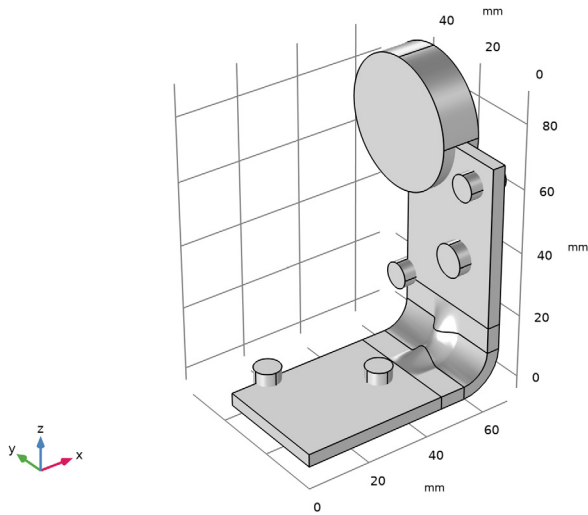
Cylinder 1 (cyl1)

1 In the **Geometry** toolbar, click  **Cylinder** six times.



2 In the **Settings** window for **Cylinder**, locate the **Size and Shape**, **Position**, and **Axis** sections and type the following settings for the six newly created nodes.

| Name | Radius | Height | x | y | z | Axis type |
|------------|----------|---------|----------------------|--------|-----------|-----------|
| Cylinder 1 | $dCmp/2$ | $3*thk$ | $lX-2*thk$ | $lY/2$ | lZ | x-axis |
| Cylinder 2 | $bDia/2$ | $3*thk$ | $lX-2*thk$ | $bDia$ | $lZ-bDia$ | x-axis |
| Cylinder 3 | $bDia/2$ | $3*thk$ | $lX-rOut-2*thk-bDia$ | $lY/4$ | $-thk$ | z-axis |
| Cylinder 4 | $bDia/2$ | $3*thk$ | $1.5*bDia$ | $lY/2$ | $-thk$ | z-axis |
| Cylinder 5 | $r0$ | $3*thk$ | $lX-2*thk$ | $y0$ | $z0$ | x-axis |
| Cylinder 6 | rC | $3*thk$ | $lX-2*thk$ | $lY/2$ | zC | x-axis |


3 Right-click **Geometry I** and choose **Build All Objects**.



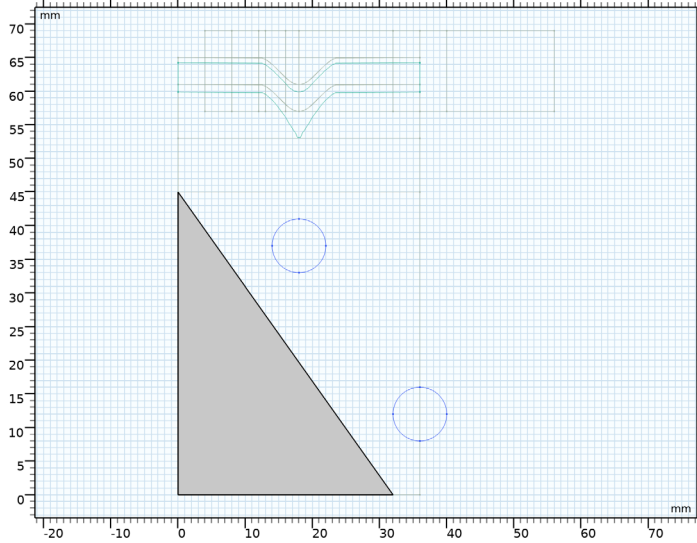
Work Plane 2 (wp2)

- 1 In the **Geometry** toolbar, click  **Work Plane**.
- 2 In the **Settings** window for **Work Plane**, locate the **Plane Definition** section.
- 3 From the **Plane** list, choose **yx-plane**.
- 4 In the **z-coordinate** text field, type $2 * \text{thk}$.
- 5 Click  **Go to Plane Geometry**.

Work Plane 2 (wp2) > Polygon 1 (pol1)

- 1 In the **Work Plane** toolbar, click  **Polygon**.
- 2 In the **Settings** window for **Polygon**, locate the **Coordinates** section.
- 3 From the **Data source** list, choose **Vectors**.
- 4 In the **xw** text field, type $0 \quad 1Y/2 - \text{bDia}/2 \quad 1Y/2 - \text{bDia}/2 \quad 0 \quad 0 \quad 0$.
- 5 In the **yw** text field, type $0 \quad 0 \quad 0 \quad 1X - \text{rOut} - 2 * \text{thk} \quad 1X - \text{rOut} - 2 * \text{thk} \quad 0$.

6 Click  **Build Selected.**




Extrude 1 (ext1)

- 1 In the **Model Builder** window, under **Component 1 (comp1) > Geometry 1** right-click **Work Plane 2 (wp2)** and choose **Extrude**.
- 2 In the **Settings** window for **Extrude**, locate the **Distances** section.
- 3 In the table, enter the following settings:

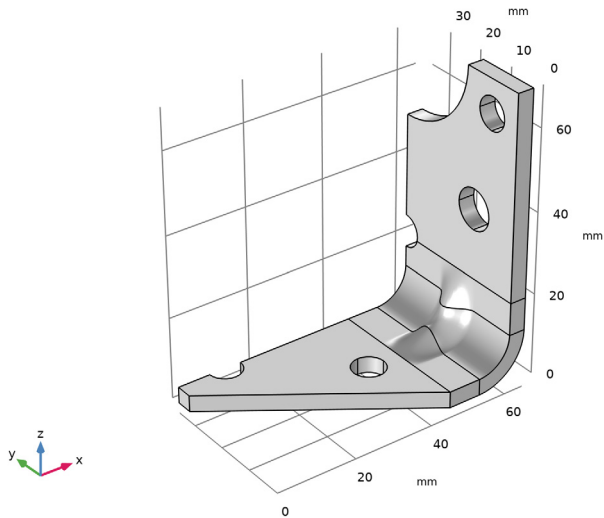
| Distances (mm) |
|-----------------------|
| 3*thk |

4 Click  **Build Selected.**



Difference 1 (dif1)


- 1 In the **Geometry** toolbar, click  **Booleans and Partitions** and choose **Difference**.
- 2 Select the objects **blk1**, **blk2**, **loft1**, **mir1**, and **rev1** only.
- 3 In the **Settings** window for **Difference**, locate the **Difference** section.
- 4 Click to select the **Activate Selection** toggle button for **Objects to subtract**.
- 5 Select the objects **cyl1**, **cyl2**, **cyl3**, **cyl4**, **cyl5**, **cyl6**, and **ext1** only.

6 Click  **Build All Objects**.



Mirror 2 (mir2)

- 1 In the **Geometry** toolbar, click  **Transforms** and choose **Mirror**.
- 2 In the **Settings** window for **Mirror**, locate the **Input** section.
- 3 Select the **Keep input objects** checkbox.
- 4 Locate the **Point on Plane of Reflection** section. In the **y** text field, type 1Y/2.
- 5 Locate the **Normal Vector to Plane of Reflection** section. In the **y** text field, type 1.
- 6 In the **z** text field, type 0.
- 7 Select the object **dif1** only.
- 8 Click  **Build All Objects**.

9 Click the  **Zoom Extents** button in the **Graphics** toolbar.

