



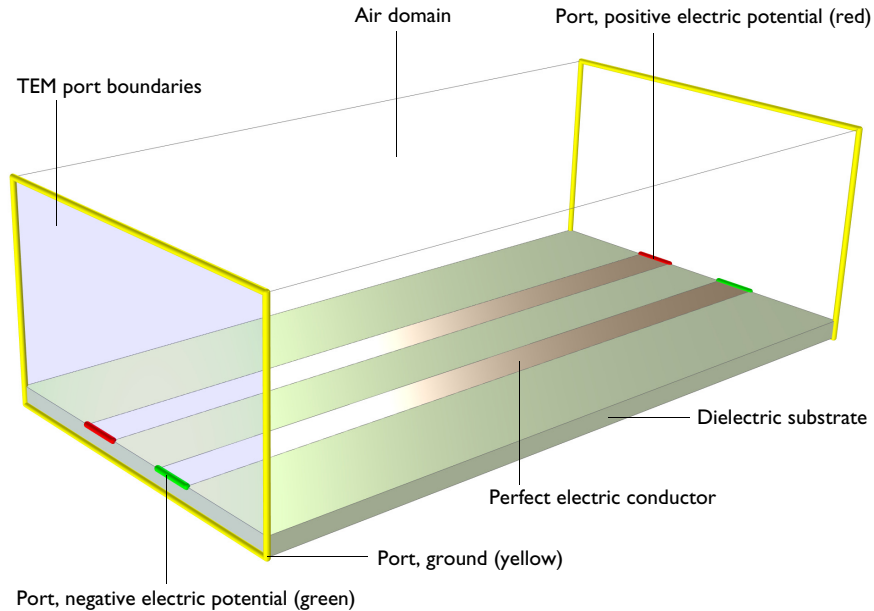
Model created in COMSOL Multiphysics 6.4

# Modeling of a Differential Microstrip Line

## Introduction

---

A differential line is composed of two transmission lines excited by two out-of-phase signals. This configuration is known to be useful to enhance the signal-to-noise ratio. The model example shows how to set up differential and single-ended microstrip lines using TEM-type ports. The impact on computed S-parameters due to a fictitious noise source is demonstrated for each microstrip line configuration, respectively.



*Figure 1: A differential line composed of two microstrip lines: the TEM type of ports is used to set up differential line properties.*

## Model Definition

---

The differential line model consists of two single microstrip lines printed on a substrate with a permittivity value of 3.38. The differential line is excited and terminated by port features. The port types are set to transverse electromagnetic (TEM) that is configured with electric potential and ground subfeatures. To generate the differential mode, the positive electric potential is assigned on one of the single-ended microstrip line edges while the negative electric potential is added on the end of the adjacent microstrip line. If the coupling between two lines is marginal, the characteristic port impedance of a differential line can be approximated as a series connection of two  $50 \Omega$  lumped devices, that is  $100 \Omega$

when the characteristic impedance of a single-ended microstrip line is  $50 \Omega$ . Note that two positive potential subfeatures are required to model a common mode and the characteristic impedance of the port with negligible coupling effects can be approximated as a parallel connection of two  $50 \Omega$  lumped devices, that is  $25 \Omega$ . Perfect electric conductor (PEC) is used to address all metallic parts. By default, all exterior boundaries are set to PEC. So, the model can be seen as enclosed by a metallic box.

The physics settings include all possible modeling cases such as single-ended line, differential line, and a fictitious noise. In each study step, these settings can selectively be enabled or disabled before running computation.

### Results and Discussion

Figure 2 describes the electric field norm on the circuit board for a single-ended microstrip line. The field distribution on the top surface shows that the excited signal propagates to the other side and is terminated by the same type of port. Strong fields are confined around the edges of the PEC boundaries.

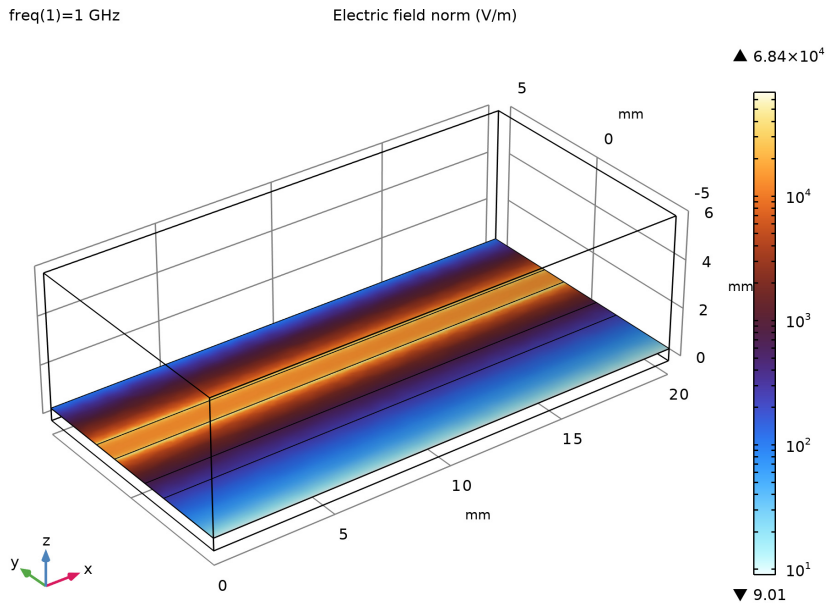


Figure 2: The electric field norm on the top surface of the circuit board when a single-ended microstrip line is computed.

The performance of the single-ended line is checked in terms of the S-parameters through the default global evaluation. The input impedance matching ( $S_{33dB}$ ) is below  $-30$  dB and insertion loss ( $S_{43dB}$ ) is better than  $0.05$  dB. For the single-ended microstrip line, the port mode impedance ( $Z_{mode\_3}$ ), calculated characteristic impedance, is about  $49.5 \Omega$ .

When the single-ended microstrip line is under the influence of undesirable noise, the signal integrity can be degraded. The impact on the circuit board due to a fictitious noise made by a point source is visualized in Figure 3. By reviewing the computed S-parameters, it is more obvious quantitatively. With the noise source, the input impedance matching ( $S_{33dB}$ ) is higher than  $-15$  dB and insertion loss ( $S_{43dB}$ ) is worse than  $2$  dB.

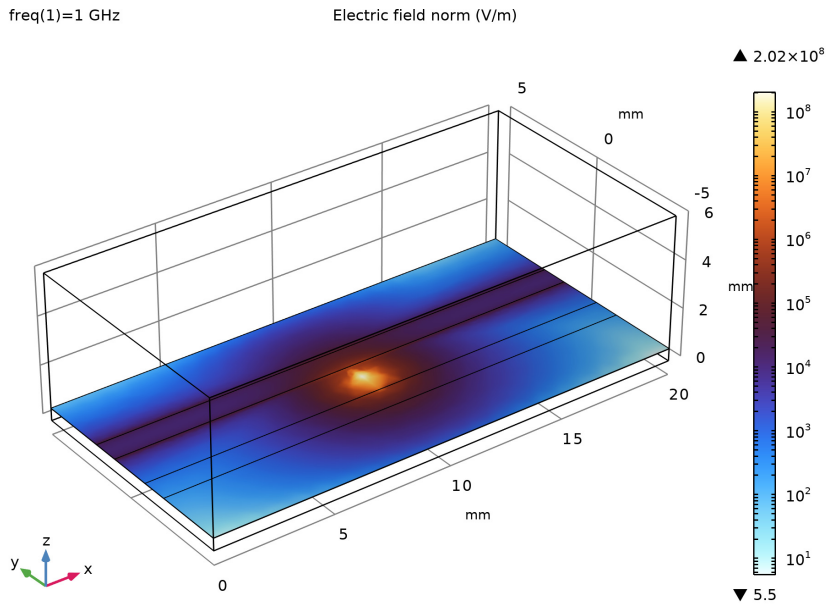
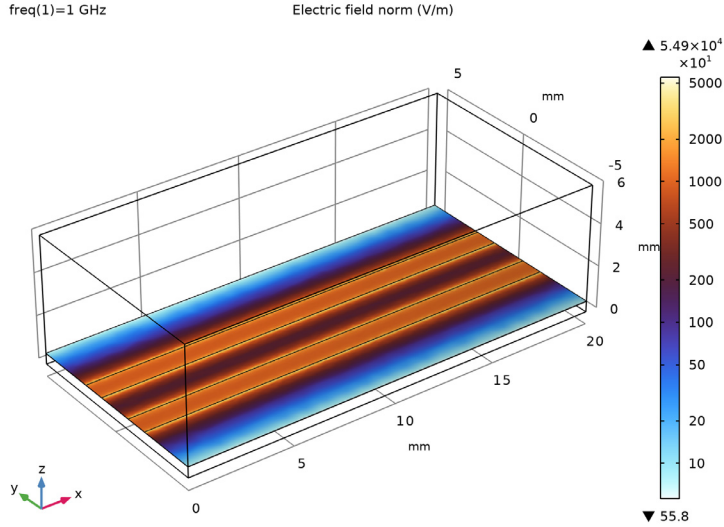
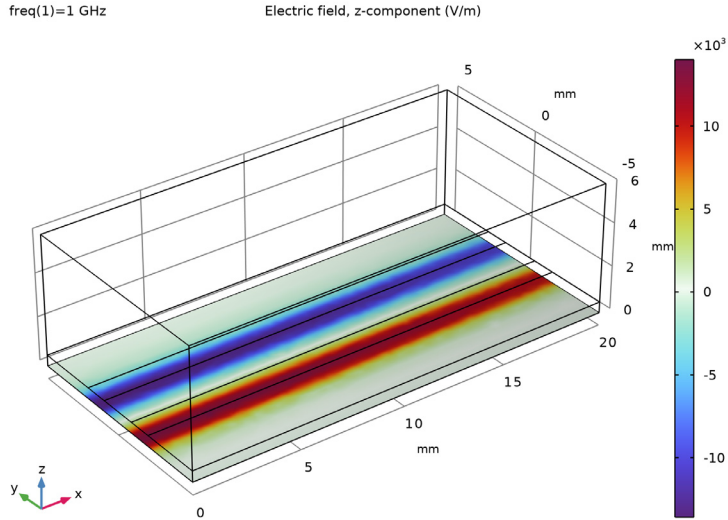


Figure 3: The electric field norm on the top surface of the circuit board when a fictitious noise is added next to a single-ended microstrip line.

The electric field norm of a differential line composed of two microstrip lines is plotted in Figure 4. When visualizing the z-component of the electric field, the polarity of differential signals can be displayed with a couple of colors (Figure 5). Since there is coupling between two single-ended lines, the computed port mode impedance ( $Z_{mode\_1}$ ) is around  $97 \Omega$  deviated from the value of  $100 \Omega$  for the case of no coupling. The input impedance matching ( $S_{11dB}$ ) is below  $-30$  dB and insertion loss ( $S_{21dB}$ ) is better than  $0.05$  dB.



*Figure 4: The electric field norm on the top surface of the circuit board when a differential microstrip line is computed.*



*Figure 5: The z-component of the electric field on the bottom surface of the circuit board when a differential microstrip line is computed.*

After reactivating the noise source in the differential line, its effect on the circuit board is presented in Figure 6. The input impedance matching ( $S_{11}$  dB) is below  $-30$  dB and insertion loss ( $S_{21}$  dB) is better than  $0.05$  dB. So, those characteristics are not degraded as shown in the single-ended line case when the noise equally affects each line component of the differential pair.

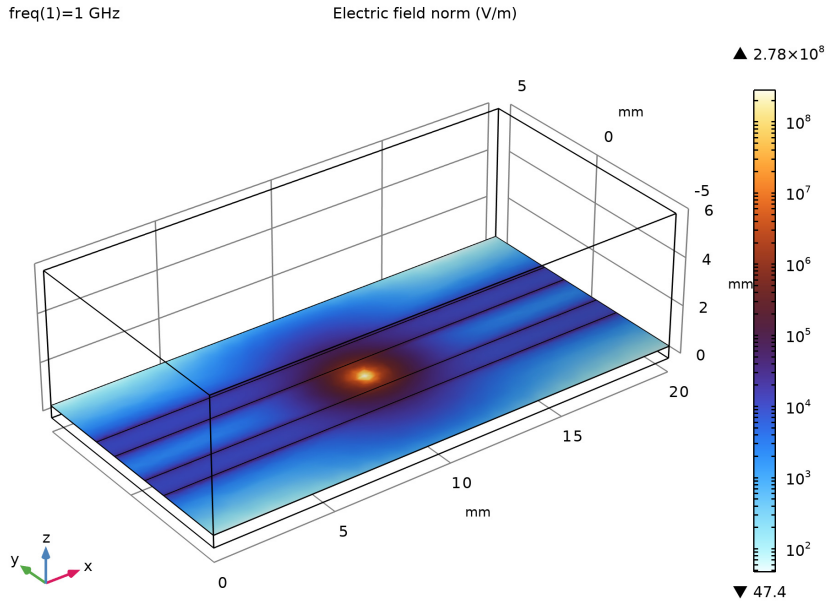


Figure 6: The electric field norm on the top surface of the circuit board when a fictitious noise is added.

---

**Application Library path:** RF\_Module/Transmission\_Lines\_and\_Waveguides/  
microstrip\_line\_tem\_differential


---

### *Modeling Instructions*




---

From the **File** menu, choose **New**.

#### **NEW**

In the **New** window, click  **Model Wizard**.


## MODEL WIZARD

- 1 In the **Model Wizard** window, click  **3D**.
- 2 In the **Select Physics** tree, select **Radio Frequency > Electromagnetic Waves, Frequency Domain (emw)**.
- 3 Click **Add**.
- 4 Click  **Study**.
- 5 In the **Select Study** tree, select **Preset Studies for Selected Physics Interfaces > TEM Boundary Mode Analysis**.
- 6 Click  **Done**.

## GEOMETRY I


- 1 In the **Model Builder** window, under **Component 1 (comp1)** click **Geometry 1**.
- 2 In the **Settings** window for **Geometry**, locate the **Units** section.
- 3 From the **Length unit** list, choose **mm**.

### *Block 1 (blk1)*

- 1 In the **Geometry** toolbar, click  **Block**.
- 2 In the **Settings** window for **Block**, locate the **Size and Shape** section.
- 3 In the **Width** text field, type 20.
- 4 In the **Depth** text field, type 10.
- 5 In the **Height** text field, type 6.
- 6 Locate the **Position** section. In the **y** text field, type -5.
- 7 Click to expand the **Layers** section. In the table, enter the following settings:

Layer name	Thickness (mm)
Layer 1	20[mil]


### *Work Plane 1 (wp1)*

- 1 In the **Geometry** toolbar, click  **Work Plane**.
- 2 In the **Settings** window for **Work Plane**, locate the **Plane Definition** section.
- 3 In the **z-coordinate** text field, type 20[mil].

### *Work Plane 1 (wp1) > Plane Geometry*


In the **Model Builder** window, click **Plane Geometry**.

### *Work Plane 1 (wp1) > Rectangle 1 (r1)*



- 1 In the **Work Plane** toolbar, click  **Rectangle**.

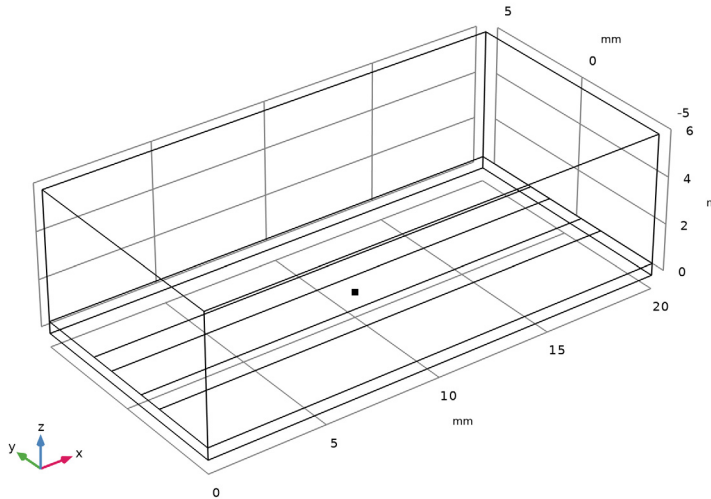
- 2 In the **Settings** window for **Rectangle**, locate the **Size and Shape** section.
- 3 In the **Width** text field, type 20.
- 4 In the **Height** text field, type 1.13.
- 5 Locate the **Position** section. In the **yw** text field, type -0.565+1.5.

*Work Plane 1 (wp1) > Mirror 1 (mir1)*



- 1 In the **Work Plane** toolbar, click  **Transforms** and choose **Mirror**.
- 2 Select the object **r1** only.
- 3 In the **Settings** window for **Mirror**, locate the **Input** section.
- 4 Select the **Keep input objects** checkbox.
- 5 Locate the **Normal Vector to Line of Reflection** section. In the **xw** text field, type 0.
- 6 In the **yw** text field, type 1.

*Point 1 (pt1)*

- 1 In the **Model Builder** window, right-click **Geometry 1** and choose **More Primitives > Point**.
- 2 In the **Settings** window for **Point**, locate the **Point** section.
- 3 In the **x** text field, type 10.
- 4 In the **z** text field, type 20[mil].
- 5 Click  **Build All Objects**.
- 6 Click the  **Wireframe Rendering** button in the **Graphics** toolbar.



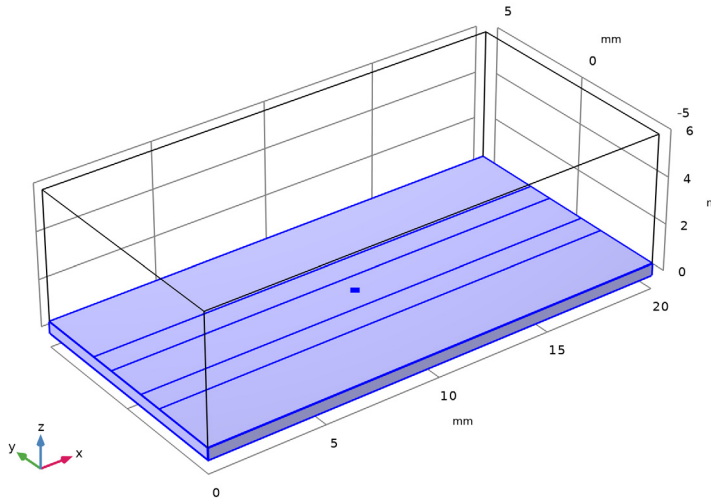
## ADD MATERIAL

- 1 In the **Materials** toolbar, click  **Add Material** to open the **Add Material** window.
- 2 Go to the **Add Material** window.
- 3 In the tree, select **Built-in > Air**.
- 4 Click the **Add to Component** button in the window toolbar.
- 5 In the **Materials** toolbar, click  **Add Material** to close the **Add Material** window.

## MATERIALS

### *Material 2 (mat2)*

- 1 In the **Model Builder** window, under **Component 1 (comp1)** right-click **Materials** and choose **Blank Material**.
- 2 Select Domain 1 only.




- 3 In the **Settings** window for **Material**, locate the **Material Contents** section.

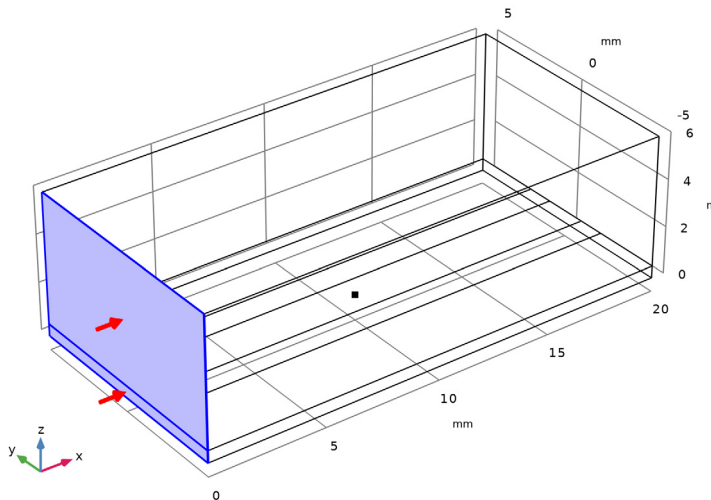
4 In the table, enter the following settings:

Property	Variable	Value	Unit	Property group
Relative permittivity	epsilon <sub>nr_iso</sub> ; epsilon <sub>nrii</sub> = epsilon <sub>nr_iso</sub> , epsilon <sub>nrij</sub> = 0	3.38		Basic
Relative permeability	mu <sub>r_iso</sub> ; mu <sub>rii</sub> = mu <sub>r_iso</sub> , mu <sub>rij</sub> = 0	1		Basic
Electric conductivity	sigma <sub>iso</sub> ; sigma <sub>aii</sub> = sigma <sub>iso</sub> , sigma <sub>aij</sub> = 0	0	S/m	Basic

## ELECTROMAGNETIC WAVES, FREQUENCY DOMAIN (EMW)

*Port 1*

- 1 In the **Physics** toolbar, click  **Boundaries** and choose **Port**.
- 2 Select Boundaries 1 and 4 only.



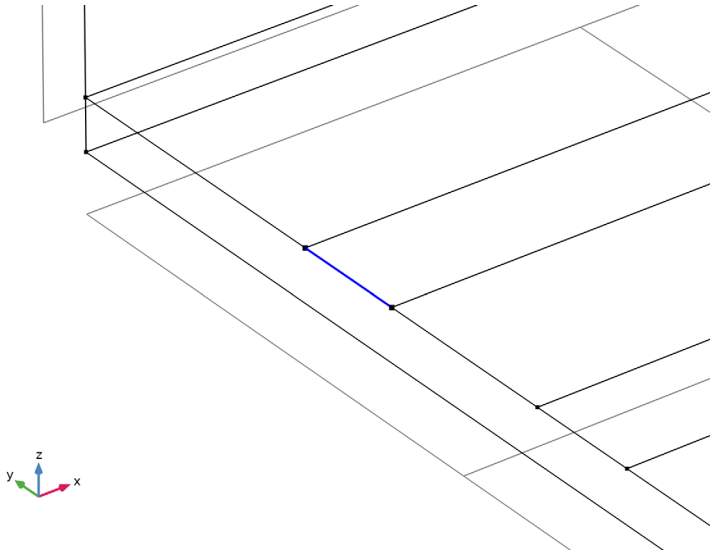
- 3 In the **Settings** window for **Port**, locate the **Port Properties** section.
- 4 From the **Type of port** list, choose **Transverse electromagnetic (TEM)**.

5 In the  $Z_{ref}$  text field, type 100[ohm].

*Electric Potential 1*

1 In the **Physics** toolbar, click  **Attributes** and choose **Electric Potential**.

2 Select Edge 13 only.



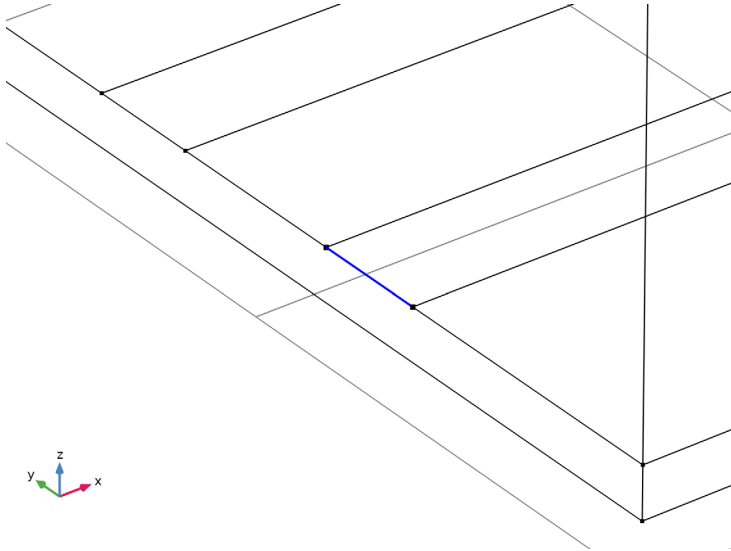
*Port 1*

In the **Model Builder** window, click **Port 1**.

*Electric Potential 2*

1 In the **Physics** toolbar, click  **Attributes** and choose **Electric Potential**.

2 Select Edge 9 only.



3 In the **Settings** window for **Electric Potential**, locate the **Electric Potential** section.

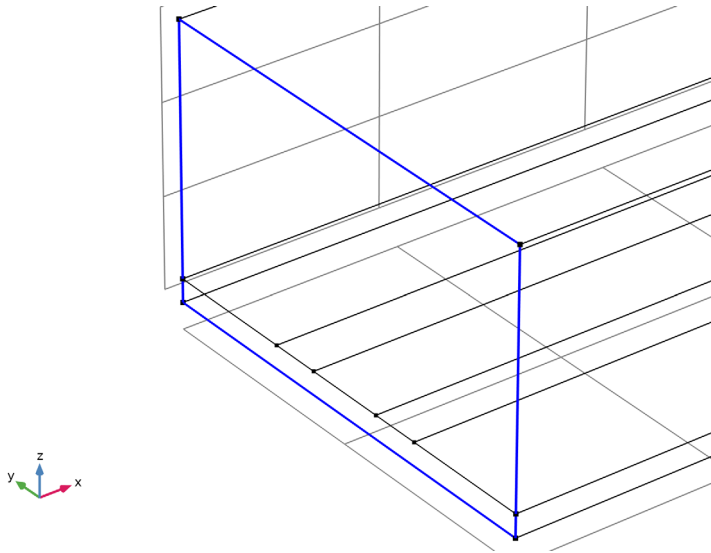
4 From the  $V_0$  list, choose **Negative electric potential**.

*Port 1*

In the **Model Builder** window, click **Port 1**.

*Ground 1*

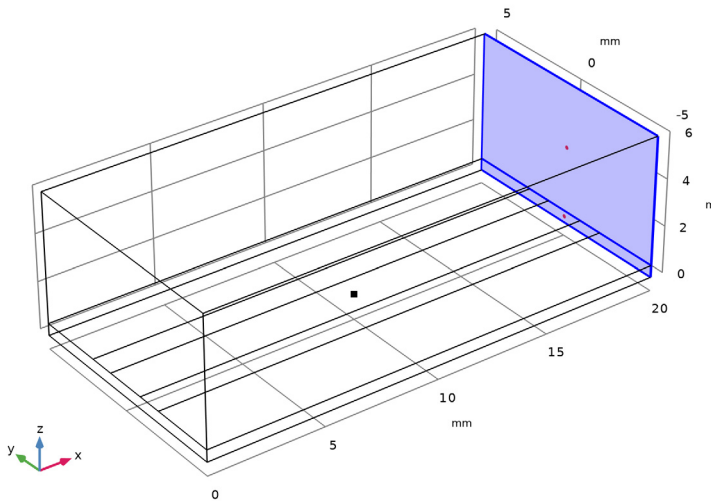
In the **Physics** toolbar, click  **Attributes** and choose **Ground**.



*Port 2*

**1** In the **Physics** toolbar, click  **Boundaries** and choose **Port**.

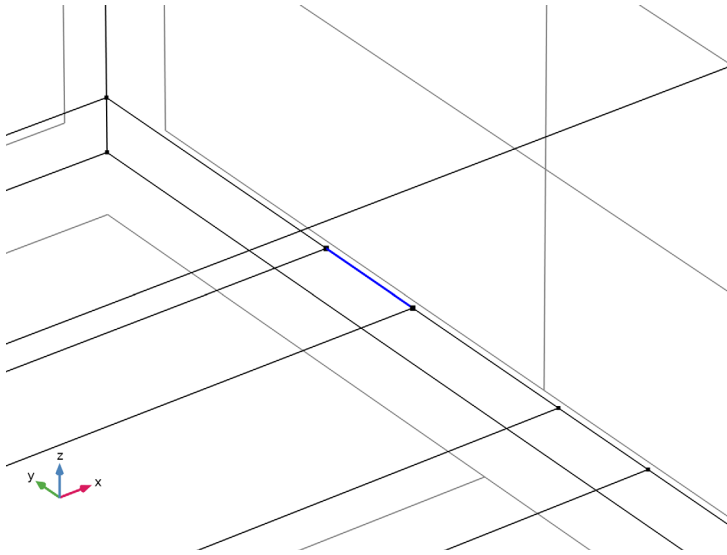
**2** Select Boundaries 14 and 15 only.



- 3 In the **Settings** window for **Port**, locate the **Port Properties** section.
- 4 From the **Type of port** list, choose **Transverse electromagnetic (TEM)**.
- 5 In the  $Z_{ref}$  text field, type 100[ohm].

*Electric Potential 1*

- 1 In the **Physics** toolbar, click  **Attributes** and choose **Electric Potential**.
- 2 Select Edge 29 only.



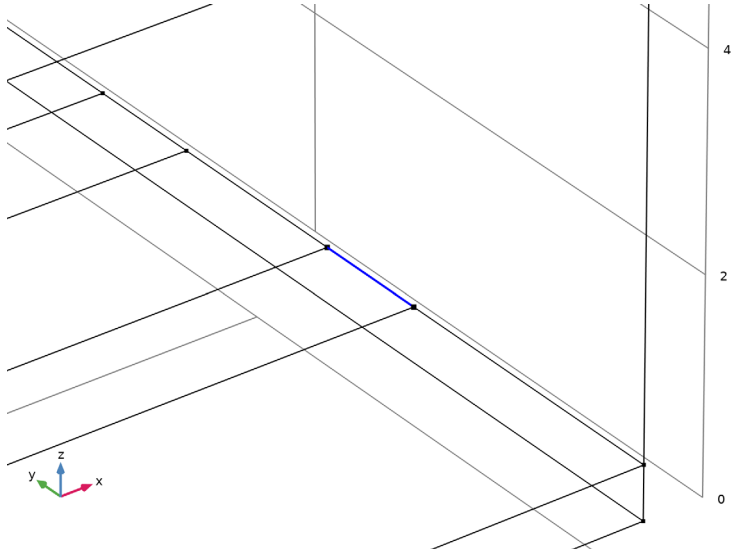
*Port 2*

In the **Model Builder** window, click **Port 2**.

*Electric Potential 2*

- 1 In the **Physics** toolbar, click  **Attributes** and choose **Electric Potential**.

**2** Select Edge 27 only.



**3** In the **Settings** window for **Electric Potential**, locate the **Electric Potential** section.

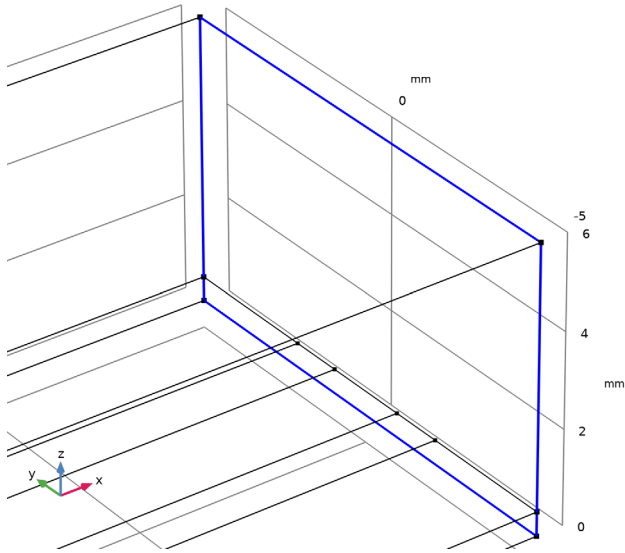
**4** From the  $V_0$  list, choose **Negative electric potential**.

*Port 2*


In the **Model Builder** window, click **Port 2**.

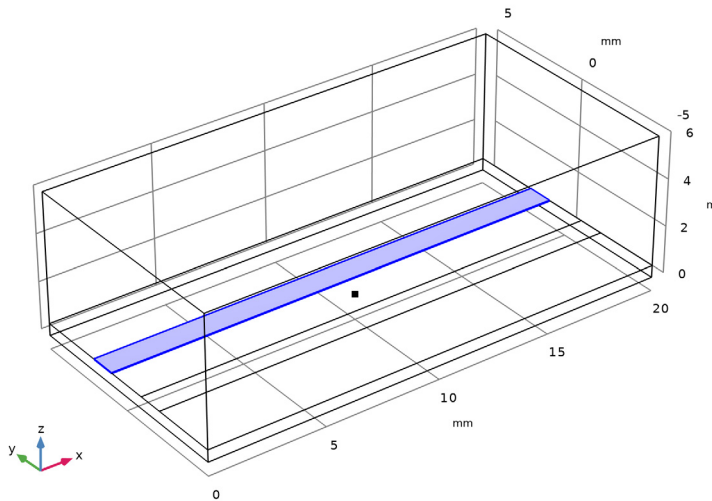
### Ground 1

In the **Physics** toolbar, click  **Attributes** and choose **Ground**.




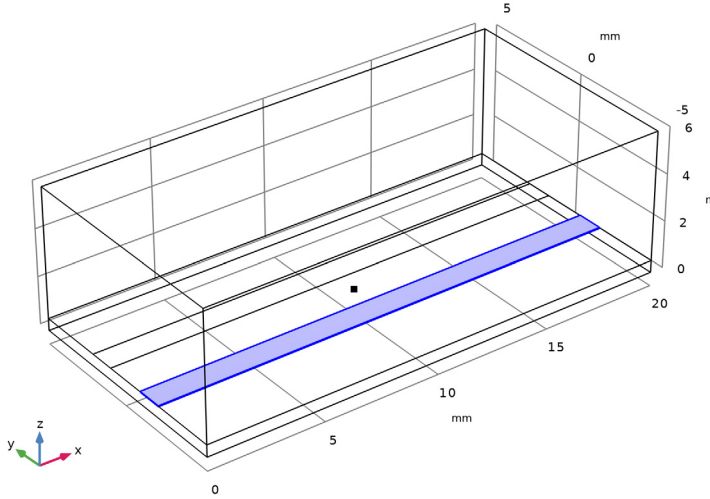
### Perfect Electric Conductor 2

- 1 In the **Physics** toolbar, click  **Boundaries** and choose **Perfect Electric Conductor**.
- 2 Select Boundary 10 only.




### Perfect Electric Conductor 3

- 1 In the **Physics** toolbar, click  **Boundaries** and choose **Perfect Electric Conductor**.
- 2 Select Boundary 8 only.



### Electric Point Dipole 1

- 1 In the **Physics** toolbar, click  **Points** and choose **Electric Point Dipole**.
- 2 Select Point 11 only.
- 3 In the **Settings** window for **Electric Point Dipole**, locate the **Dipole Parameters** section.
- 4 Specify the  $\mathbf{n}_p$  vector as

0	x
0	y
-1	z

- 5 In the  $p$  text field, type  $5e-4$ .

### Port 3

- 1 In the **Model Builder** window, under **Component 1 (comp1) > Electromagnetic Waves, Frequency Domain (emw)** right-click **Port 1** and choose **Duplicate**.
- 2 In the **Settings** window for **Port**, locate the **Port Properties** section.
- 3 In the  $Z_{ref}$  text field, type  $50[\text{ohm}]$ .

### *Electric Potential 2*

- 1 In the **Model Builder** window, expand the **Port 3** node.
- 2 Right-click **Electric Potential 2** and choose **Delete**.

### *Port 4*

- 1 In the **Model Builder** window, under **Component 1 (comp1) > Electromagnetic Waves, Frequency Domain (emw)** right-click **Port 2** and choose **Duplicate**.
- 2 In the **Settings** window for **Port**, locate the **Port Properties** section.
- 3 In the  $Z_{ref}$  text field, type 50[ohm].

### *Electric Potential 2*

- 1 In the **Model Builder** window, expand the **Port 4** node.
- 2 Right-click **Electric Potential 2** and choose **Delete**.

### *Port 1, Port 2*

- 1 In the **Model Builder** window, under **Component 1 (comp1) > Electromagnetic Waves, Frequency Domain (emw)**, Ctrl-click to select **Port 1** and **Port 2**.
- 2 Right-click and choose **Group**.

### *Differential Line Port Group*

In the **Settings** window for **Group**, type Differential Line Port Group in the **Label** text field.

### *Port 3, Port 4*

- 1 In the **Model Builder** window, under **Component 1 (comp1) > Electromagnetic Waves, Frequency Domain (emw)**, Ctrl-click to select **Port 3** and **Port 4**.
- 2 Right-click and choose **Group**.

### *Single-Ended Line Port Group*

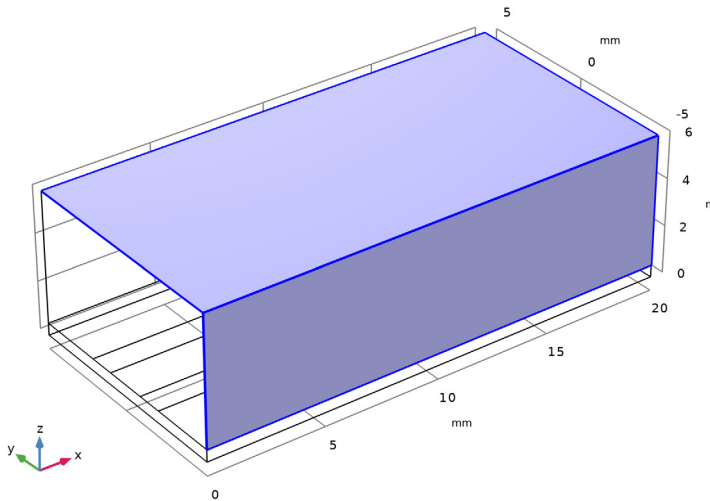
In the **Settings** window for **Group**, type Single-Ended Line Port Group in the **Label** text field.

## **DEFINITIONS**

### *Hide for Physics 1*

- 1 In the **Model Builder** window, expand the **Component 1 (comp1) > Definitions** node.
- 2 Right-click **View 1** and choose **Hide for Physics**.
- 3 In the **Settings** window for **Hide for Physics**, locate the **Geometric Entity Selection** section.
- 4 From the **Geometric entity level** list, choose **Boundary**.

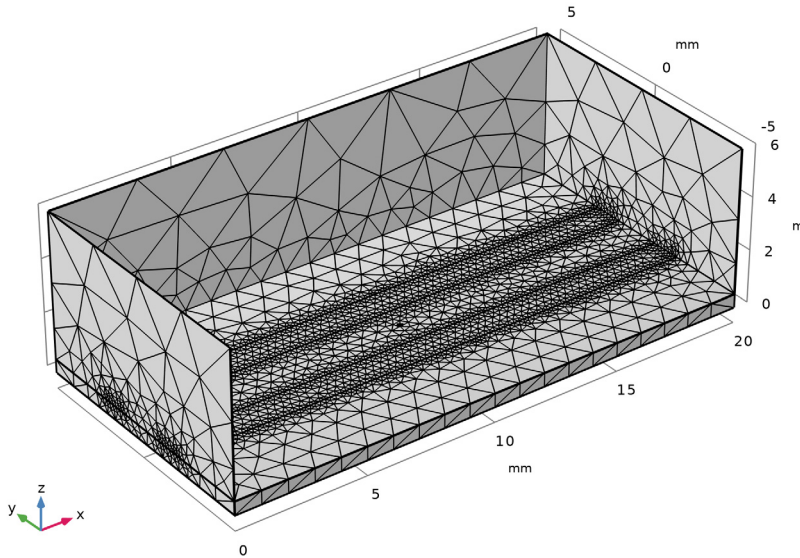
5 Select Boundaries 5 and 7 only.



#### **MESH 1**




- 1 In the **Model Builder** window, under **Component 1 (comp1)** click **Mesh 1**.
- 2 In the **Settings** window for **Mesh**, locate the **Electromagnetic Waves, Frequency Domain (emw)** section.
- 3 Select the **Refine conductive edges** checkbox.
- 4 From the **Size type** list, choose **User defined**.

5 Click  **Build All**.







## STUDY 1

*Step 1: TEM Boundary Mode Analysis*

- 1 In the **Model Builder** window, under **Study 1** click **Step 1: TEM Boundary Mode Analysis**.
- 2 In the **Settings** window for **TEM Boundary Mode Analysis**, locate the **Physics and Variables Selection** section.
- 3 Select the **Modify model configuration for study step** checkbox.
- 4 In the tree, select **Component 1 (comp1) > Electromagnetic Waves, Frequency Domain (emw) > Differential Line Port Group**.
- 5 Click  **Disable**.
- 6 In the tree, select **Component 1 (comp1) > Electromagnetic Waves, Frequency Domain (emw) > Perfect Electric Conductor 3**.
- 7 Click  **Disable**.
- 8 In the tree, select **Component 1 (comp1) > Electromagnetic Waves, Frequency Domain (emw) > Electric Point Dipole 1**.
- 9 Click  **Disable**.

### Step 2: Frequency Domain



- 1 In the **Model Builder** window, click **Step 2: Frequency Domain**.
- 2 In the **Settings** window for **Frequency Domain**, locate the **Physics and Variables Selection** section.
- 3 Select the **Modify model configuration for study step** checkbox.
- 4 In the tree, select **Component 1 (comp1) > Electromagnetic Waves, Frequency Domain (emw) > Differential Line Port Group**.
- 5 Click  **Disable**.
- 6 In the tree, select **Component 1 (comp1) > Electromagnetic Waves, Frequency Domain (emw) > Perfect Electric Conductor 3**.
- 7 Click  **Disable**.
- 8 In the tree, select **Component 1 (comp1) > Electromagnetic Waves, Frequency Domain (emw) > Electric Point Dipole 1**.
- 9 Click  **Disable**.
- 10 In the **Model Builder** window, click **Study 1**.
- 11 In the **Settings** window for **Study**, type Study 1, Single-Ended Line in the **Label** text field.
- 12 In the **Home** toolbar, click  **Compute**.

## RESULTS

### *S-parameter, Single-Ended Line*

- 1 In the **Model Builder** window, under **Results** click **S-Parameter (emw)**.
- 2 In the **Settings** window for **Evaluation Group**, type S-parameter, Single-Ended Line in the **Label** text field.

### *Port Mode Impedance, Single-Ended Line*

- 1 In the **Results** toolbar, click  **Global Evaluation**.
- 2 In the **Settings** window for **Global Evaluation**, type Port Mode Impedance, Single-Ended Line in the **Label** text field.
- 3 Click **Replace Expression** in the upper-right corner of the **Expressions** section. From the menu, choose **Component 1 (comp1) > Electromagnetic Waves, Frequency Domain > TEM boundary mode analysis > emw.Zmode\_3 - TEM mode port characteristic impedance -  $\Omega$** .
- 4 Click  **Evaluate**.

### *Electric Field Norm, Single-Ended Line*

- 1 In the **Model Builder** window, under **Results** click **Electric Field (emw)**.
- 2 In the **Settings** window for **3D Plot Group**, type Electric Field Norm, Single-Ended Line in the **Label** text field.


### *Multislice 1*

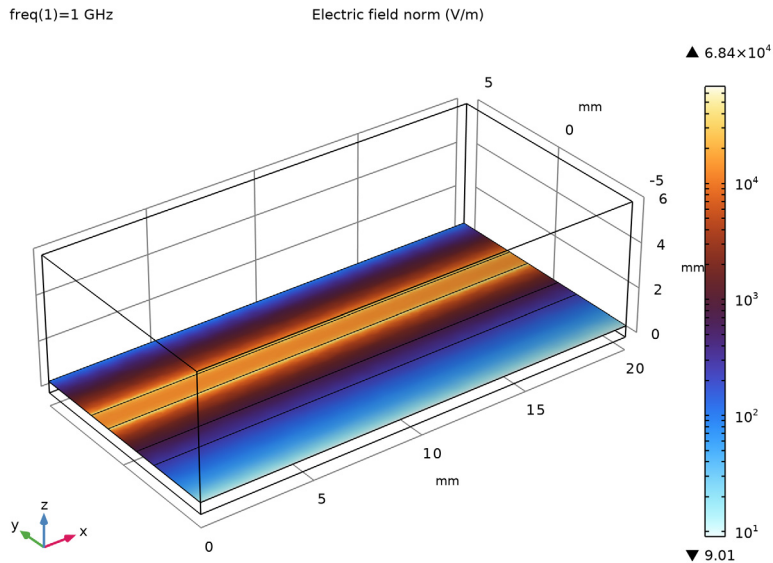
- 1 In the **Model Builder** window, expand the **Electric Field Norm, Single-Ended Line** node.
- 2 Right-click **Multislice 1** and choose **Delete**.

### *Surface 1*


- 1 Right-click **Electric Field Norm, Single-Ended Line** and choose **Surface**.
- 2 In the **Settings** window for **Surface**, locate the **Coloring and Style** section.
- 3 From the **Color table** list, choose **ThermalWave**.
- 4 From the **Scale** list, choose **Logarithmic**.

### *Selection 1*

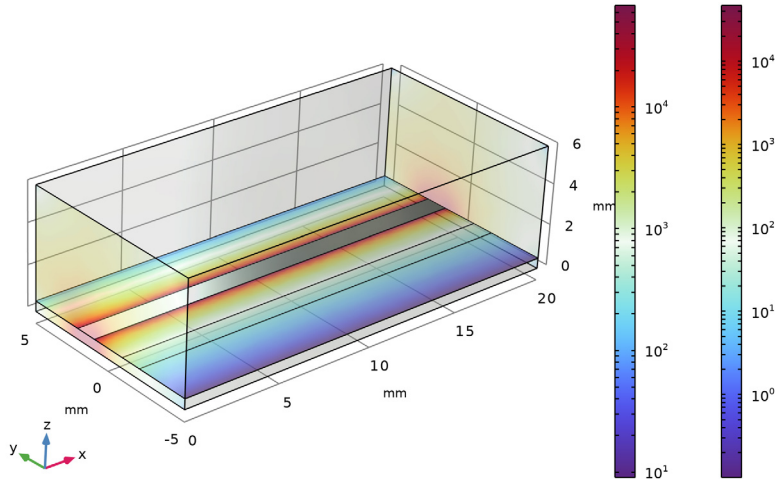
- 1 Right-click **Surface 1** and choose **Selection**.
- 2 Select Boundaries 6 and 8–11 only.
- 3 In the **Electric Field Norm, Single-Ended Line** toolbar, click  **Plot**.





### Electric Field, Logarithmic (emw)

- 1 In the **Model Builder** window, under **Results** click **Electric Field, Logarithmic (emw)**.
- 2 In the **Electric Field, Logarithmic (emw)** toolbar, click  **Plot**.

freq(1)=1 GHz Surface: 1 (1) Surface: 1 (1) Surface: Electric field norm (V/m) Surface: Electric field norm (V/m)




### ADD STUDY

- 1 In the **Home** toolbar, click  **Add Study** to open the **Add Study** window.
- 2 Go to the **Add Study** window.
- 3 Find the **Studies** subsection. In the **Select Study** tree, select **Preset Studies for Selected Physics Interfaces > TEM Boundary Mode Analysis**.
- 4 Click the **Add Study** button in the window toolbar.
- 5 In the **Home** toolbar, click  **Add Study** to close the **Add Study** window.



### STUDY 2

#### Step 1: TEM Boundary Mode Analysis

- 1 In the **Settings** window for **TEM Boundary Mode Analysis**, locate the **Physics and Variables Selection** section.
- 2 Select the **Modify model configuration for study step** checkbox.

- 3 In the tree, select **Component 1 (comp1) > Electromagnetic Waves, Frequency Domain (emw) > Differential Line Port Group**.
- 4 Right-click and choose **Disable**.
- 5 In the tree, select **Component 1 (comp1) > Electromagnetic Waves, Frequency Domain (emw) > Perfect Electric Conductor 3**.
- 6 Click  **Disable**.

*Step 2: Frequency Domain*

- 1 In the **Model Builder** window, click **Step 2: Frequency Domain**.
- 2 In the **Settings** window for **Frequency Domain**, locate the **Physics and Variables Selection** section.
- 3 Select the **Modify model configuration for study step** checkbox.
- 4 In the tree, select **Component 1 (comp1) > Electromagnetic Waves, Frequency Domain (emw) > Differential Line Port Group**.
- 5 Right-click and choose **Disable**.
- 6 In the tree, select **Component 1 (comp1) > Electromagnetic Waves, Frequency Domain (emw) > Perfect Electric Conductor 3**.
- 7 Click  **Disable**.
- 8 In the **Model Builder** window, click **Study 2**.
- 9 In the **Settings** window for **Study**, type Study 2, Single-Ended Line with Noise in the **Label** text field.
- 10 In the **Home** toolbar, click  **Compute**.

## RESULTS

*S-parameter, Single-Ended Line with Noise*

- 1 In the **Model Builder** window, under **Results** click **S-Parameter (emw)**.
- 2 In the **Settings** window for **Evaluation Group**, type S-parameter, Single-Ended Line with Noise in the **Label** text field.

*Electric Field Norm, Single-Ended Line with Noise*

- 1 In the **Model Builder** window, under **Results** click **Electric Field (emw)**.
- 2 In the **Settings** window for **3D Plot Group**, type Electric Field Norm, Single-Ended Line with Noise in the **Label** text field.

### Multislice 1

1 In the **Model Builder** window, expand the **Electric Field Norm, Single-Ended Line with Noise** node.

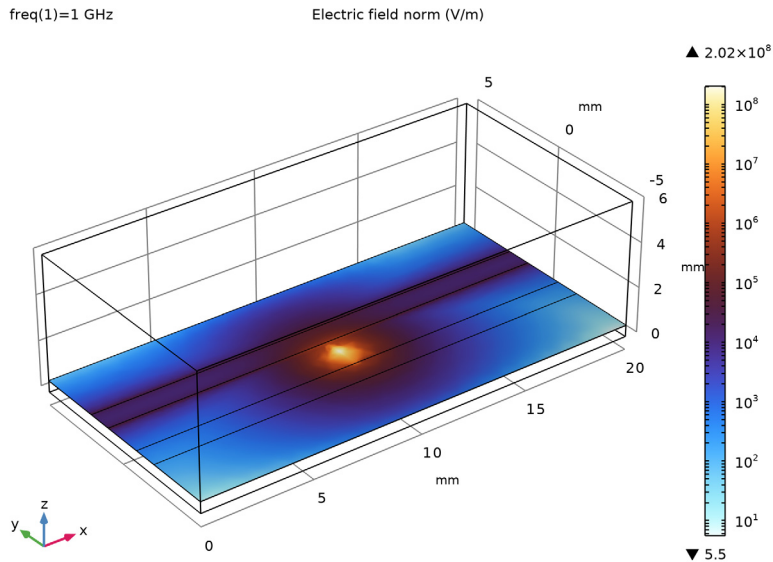
2 Right-click **Multislice 1** and choose **Delete**.

### Surface 1

In the **Model Builder** window, under **Results > Electric Field Norm, Single-Ended Line** right-click **Surface 1** and choose **Copy**.

### Surface 1

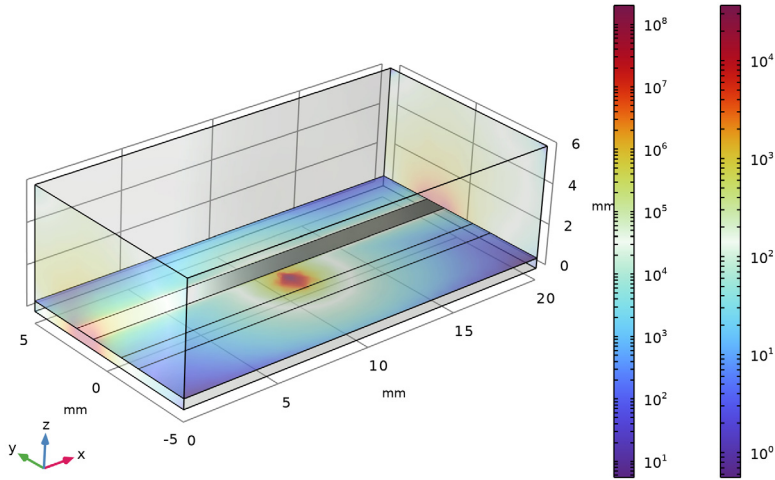
In the **Model Builder** window, right-click **Electric Field Norm, Single-Ended Line with Noise** and choose **Paste Surface**.





### Electric Field, Logarithmic (emw) 1

In the **Model Builder** window, under **Results** click **Electric Field, Logarithmic (emw) 1**.

freq(1)=1 GHz Surface: 1 (1) Surface: 1 (1) Surface: Electric field norm (V/m) Surface: Electric field norm (V/m)



### ADD STUDY

- 1 In the **Home** toolbar, click  **Add Study** to open the **Add Study** window.
- 2 Go to the **Add Study** window.
- 3 Find the **Studies** subsection. In the **Select Study** tree, select **Preset Studies for Selected Physics Interfaces > TEM Boundary Mode Analysis**.
- 4 Click the **Add Study** button in the window toolbar.
- 5 In the **Home** toolbar, click  **Add Study** to close the **Add Study** window.


### STUDY 3

#### Step 1: TEM Boundary Mode Analysis

- 1 In the **Settings** window for **TEM Boundary Mode Analysis**, locate the **Physics and Variables Selection** section.
- 2 Select the **Modify model configuration for study step** checkbox.
- 3 In the tree, select **Component 1 (comp1) > Electromagnetic Waves, Frequency Domain (emw) > Electric Point Dipole 1**.

- 4 Right-click and choose **Disable**.
- 5 In the tree, select **Component 1 (comp1) > Electromagnetic Waves, Frequency Domain (emw) > Single-Ended Line Port Group**.
- 6 Right-click and choose **Disable**.

*Step 2: Frequency Domain*


- 1 In the **Model Builder** window, click **Step 2: Frequency Domain**.
- 2 In the **Settings** window for **Frequency Domain**, locate the **Physics and Variables Selection** section.
- 3 Select the **Modify model configuration for study step** checkbox.
- 4 In the tree, select **Component 1 (comp1) > Electromagnetic Waves, Frequency Domain (emw) > Electric Point Dipole 1**.
- 5 Right-click and choose **Disable**.
- 6 In the tree, select **Component 1 (comp1) > Electromagnetic Waves, Frequency Domain (emw) > Single-Ended Line Port Group**.
- 7 Right-click and choose **Disable**.
- 8 In the **Model Builder** window, click **Study 3**.
- 9 In the **Settings** window for **Study**, type Study 3, Differential Line in the **Label** text field.
- 10 In the **Home** toolbar, click  **Compute**.

**RESULTS**

*S-parameter, Differential Line*

- 1 In the **Model Builder** window, under **Results** click **S-Parameter (emw)**.
- 2 In the **Settings** window for **Evaluation Group**, type S-parameter, Differential Line in the **Label** text field.

*Port Mode Impedance, Differential Line*

- 1 In the **Results** toolbar, click  **Global Evaluation**.
- 2 In the **Settings** window for **Global Evaluation**, type Port Mode Impedance, Differential Line in the **Label** text field.
- 3 Locate the **Data** section. From the **Dataset** list, choose **Study 3, Differential Line/ Solution 5 (sol5)**.
- 4 Click **Replace Expression** in the upper-right corner of the **Expressions** section. From the menu, choose **Component 1 (comp1) > Electromagnetic Waves, Frequency Domain >**

**TEM boundary mode analysis > emw.Zmode\_1 - TEM mode port characteristic impedance -  $\Omega$ .**

5 Click  **Evaluate**.

*Electric Field Norm, Differential Line*

- 1 In the **Model Builder** window, under **Results** click **Electric Field (emw)**.
- 2 In the **Settings** window for **3D Plot Group**, type Electric Field Norm, Differential Line in the **Label** text field.

*Multislice 1*

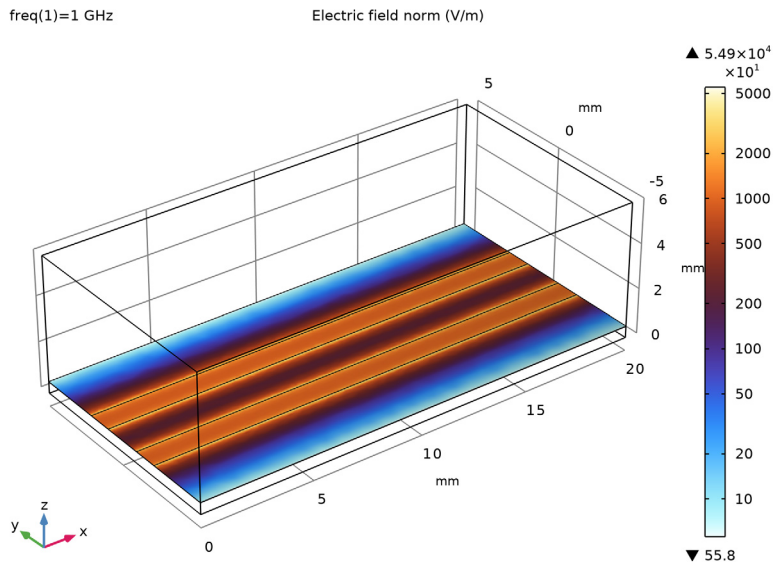
- 1 In the **Model Builder** window, expand the **Electric Field Norm, Differential Line** node.
- 2 Right-click **Multislice 1** and choose **Delete**.

*Surface 1*

In the **Model Builder** window, under **Results > Electric Field Norm, Single-Ended Line** right-click **Surface 1** and choose **Copy**.

*Surface 1*

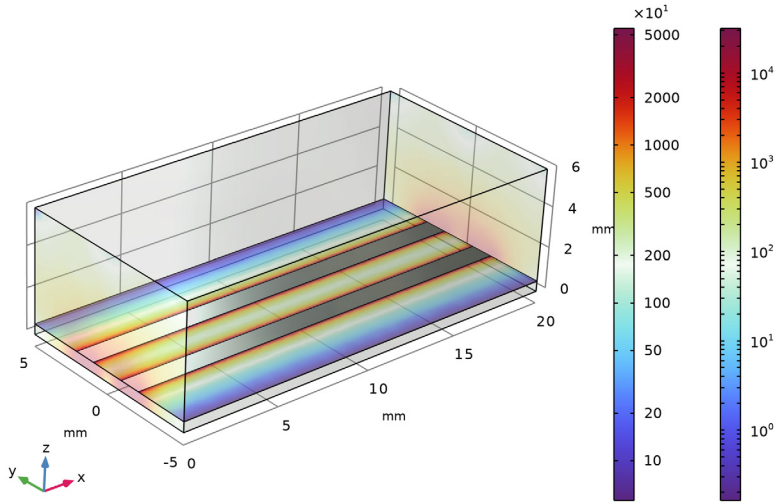
In the **Model Builder** window, right-click **Electric Field Norm, Differential Line** and choose **Paste Surface**.




### Electric Field, Logarithmic (emw) 2

In the **Model Builder** window, under **Results** click **Electric Field, Logarithmic (emw) 2**.

freq(1)=1 GHz Surface: 1 (1) Surface: 1 (1) Surface: Electric field norm (V/m) Surface: Electric field norm (V/m)



### Electric Field Ez, Differential Line

- 1 In the **Results** toolbar, click  **3D Plot Group**.
- 2 In the **Settings** window for **3D Plot Group**, type Electric Field Ez, Differential Line in the **Label** text field.
- 3 Locate the **Data** section. From the **Dataset** list, choose **Study 3, Differential Line/ Solution 5 (sol5)**.

### Surface 1

- 1 Right-click **Electric Field Ez, Differential Line** and choose **Surface**.
- 2 In the **Settings** window for **Surface**, locate the **Expression** section.
- 3 In the **Expression** text field, type  $emw.Ez$ .
- 4 Locate the **Coloring and Style** section. From the **Color table** list, choose **Dipole**.

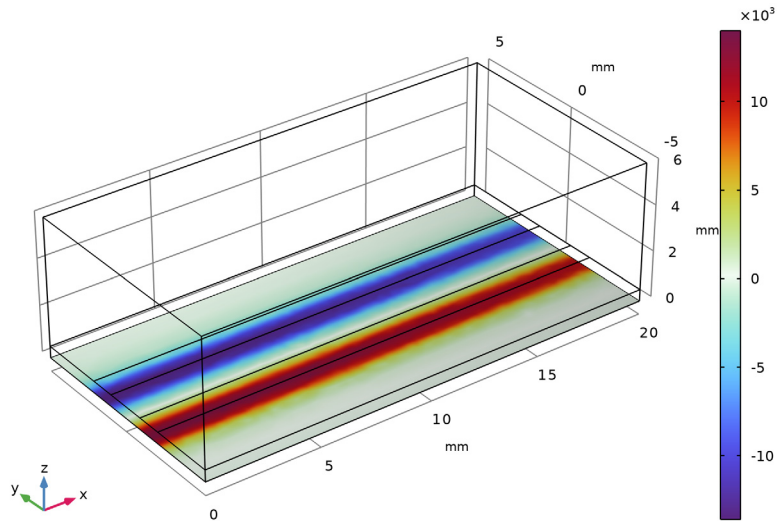
### Selection 1

- 1 Right-click **Surface 1** and choose **Selection**.
- 2 Select Boundary 3 only.



3 In the **Electric Field Ez, Differential Line** toolbar, click  **Plot**.

freq(1)=1 GHz

Electric field, z-component (V/m)



#### ADD STUDY


- 1 In the **Home** toolbar, click  **Add Study** to open the **Add Study** window.
- 2 Go to the **Add Study** window.
- 3 Find the **Studies** subsection. In the **Select Study** tree, select **Preset Studies for Selected Physics Interfaces > TEM Boundary Mode Analysis**.
- 4 Click the **Add Study** button in the window toolbar.
- 5 In the **Home** toolbar, click  **Add Study** to close the **Add Study** window.

#### STUDY 4

*Step 1: TEM Boundary Mode Analysis*

- 1 In the **Settings** window for **TEM Boundary Mode Analysis**, locate the **Physics and Variables Selection** section.
- 2 Select the **Modify model configuration for study step** checkbox.
- 3 In the tree, select **Component 1 (comp1) > Electromagnetic Waves, Frequency Domain (emw) > Single-Ended Line Port Group**.
- 4 Right-click and choose **Disable**.

### *Step 2: Frequency Domain*

- 1 In the **Model Builder** window, click **Step 2: Frequency Domain**.
- 2 In the **Settings** window for **Frequency Domain**, locate the **Physics and Variables Selection** section.
- 3 Select the **Modify model configuration for study step** checkbox.
- 4 In the tree, select **Component 1 (comp1) > Electromagnetic Waves, Frequency Domain (emw) > Single-Ended Line Port Group**.
- 5 Right-click and choose **Disable**.
- 6 In the **Model Builder** window, click **Study 4**.
- 7 In the **Settings** window for **Study**, type Study 4, Differential Line with Noise in the **Label** text field.
- 8 In the **Home** toolbar, click  **Compute**.

## **RESULTS**

### *S-parameter, Differential Line with Noise*

- 1 In the **Model Builder** window, under **Results** click **S-Parameter (emw)**.
- 2 In the **Settings** window for **Evaluation Group**, type S-parameter, Differential Line with Noise in the **Label** text field.

### *Electric Field Norm, Differential Line with Noise*

- 1 In the **Model Builder** window, under **Results** click **Electric Field (emw)**.
- 2 In the **Settings** window for **3D Plot Group**, type Electric Field Norm, Differential Line with Noise in the **Label** text field.

### *Multislice 1*

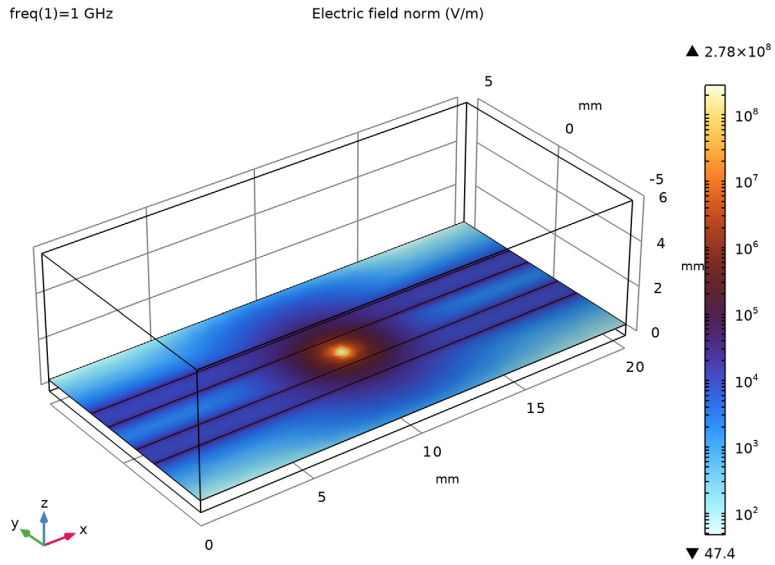
- 1 In the **Model Builder** window, expand the **Electric Field Norm, Differential Line with Noise** node.
- 2 Right-click **Multislice 1** and choose **Delete**.

### *Surface 1*

- In the **Model Builder** window, under **Results > Electric Field Norm, Single-Ended Line** right-click **Surface 1** and choose **Copy**.

### Surface 1

In the **Model Builder** window, right-click **Electric Field Norm, Differential Line with Noise** and choose **Paste Surface**.



### Electric Field, Logarithmic (emw) 3

In the **Model Builder** window, under **Results** click **Electric Field, Logarithmic (emw) 3**.

freq(1)=1 GHz Surface: 1 (1) Surface: 1 (1) Surface: Electric field norm (V/m) Surface: Electric field norm (V/m)

